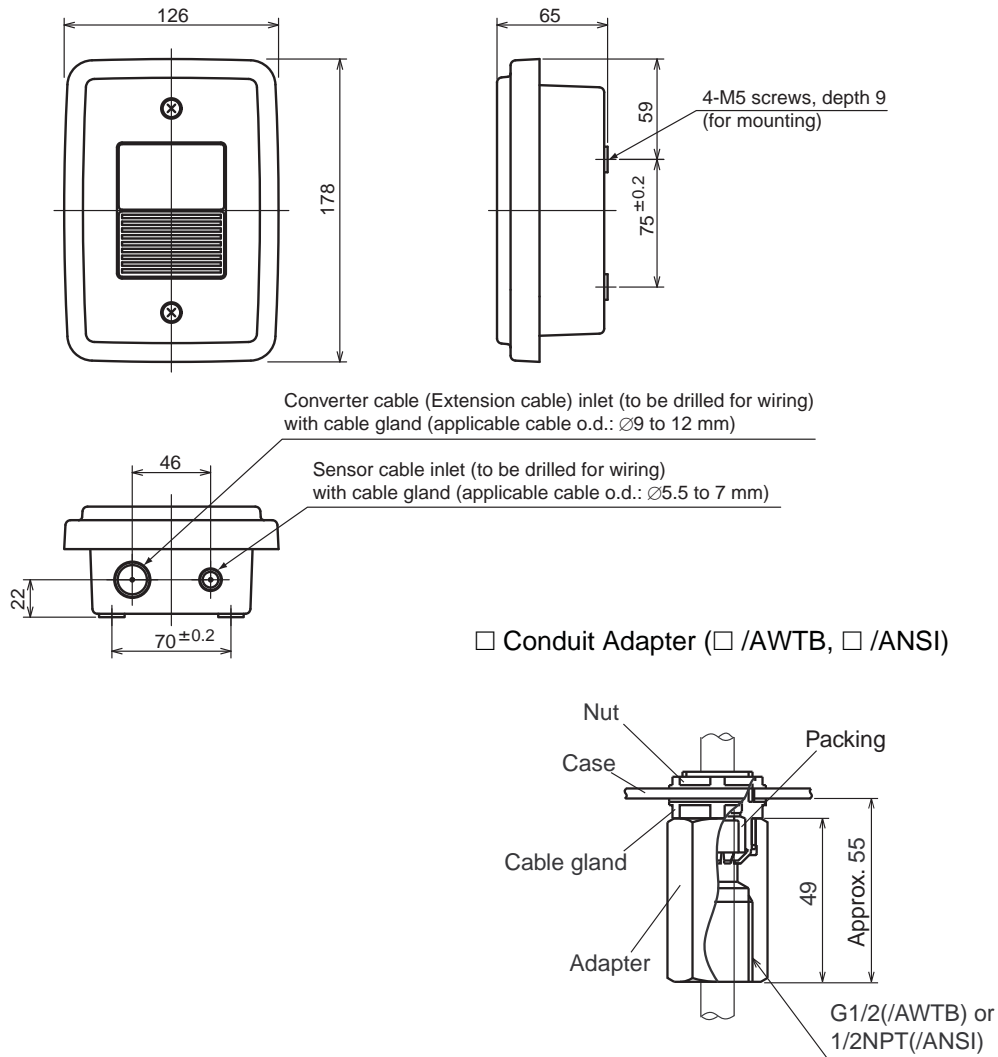
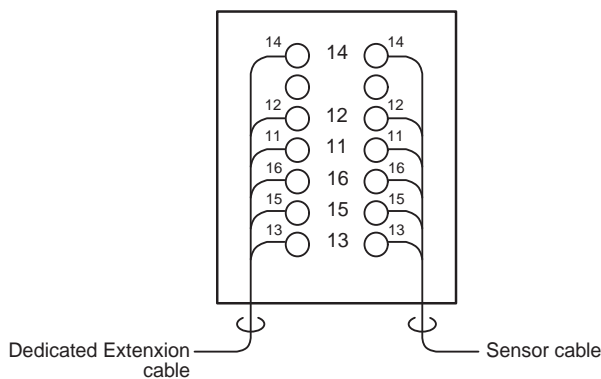


Unit : mm



Wiring Diagram

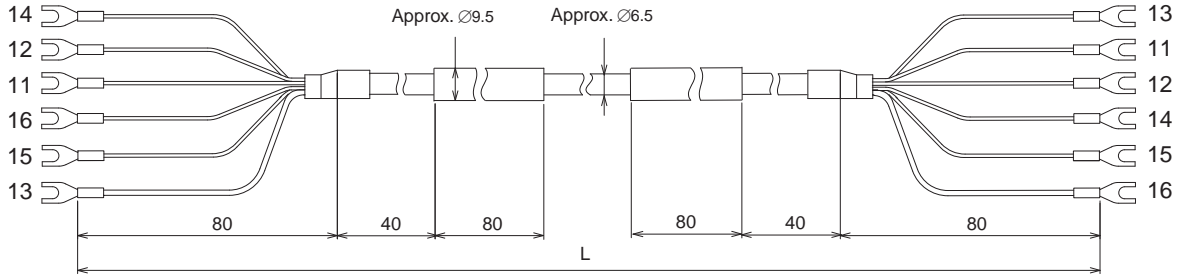


Note : A complete set of these adapters will protect the extension cable with a conduit from damage. Attach these adapters to the cable gland of the extension cable and the extension cable opening on the terminal box. A JIS A 15 type cable gland for the converter is included. Exchange a DIN Pg 16 type cable gland of the converter.

Weight : Approx. 0.5 kg

Unless otherwise specified, differences in the dimensions are specified as : General tolerance=(Criteria of tolerance class IT18 in JIS B0401)/2.

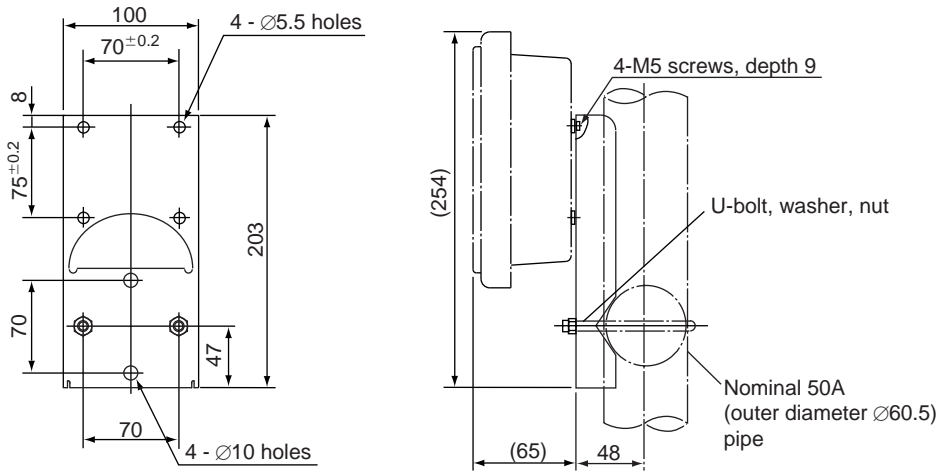
Dedicated Extension Cable (Not included when the model is the WTB10-DO2-NN-00.)



Weight : Approx. 0.12 kg/m

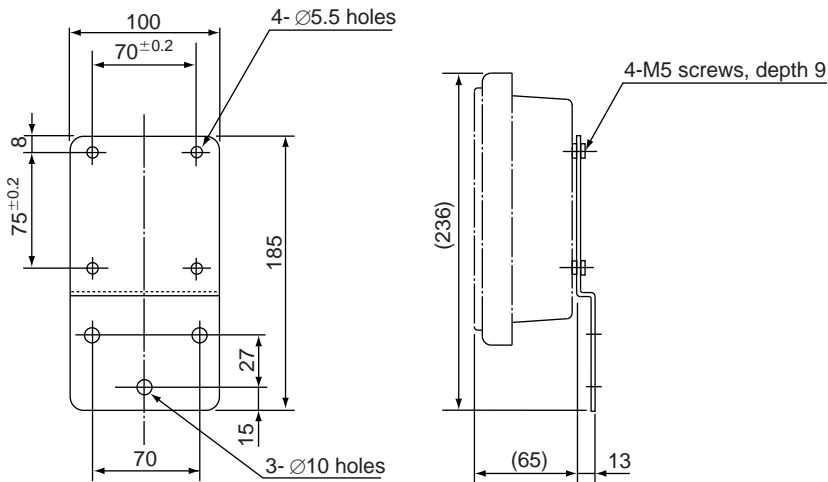
Model and suffix code	L
WTB10 - DO2 - NN - 05	Approx. 5,000
WTB10 - DO2 - NN - 10	Approx. 10,000
WTB10 - DO2 - NN - 20	Approx. 20,000
WTB10 - DO2 - NN - 30	Approx. 30,000
WTB10 - DO2 - NN - 40	Approx. 40,000

□ Pipe mounting bracket (optional)
(with the / P option)



Weight : Approx. 0.7 kg

□ Wall mounting bracket (optional)
(with the / W option)



Weight : Approx. 0.3 kg

Unless otherwise specified, differences in the dimensions are specified as : General tolerance=(Criteria of tolerance class IT18 in JIS B0401-1986)/2.