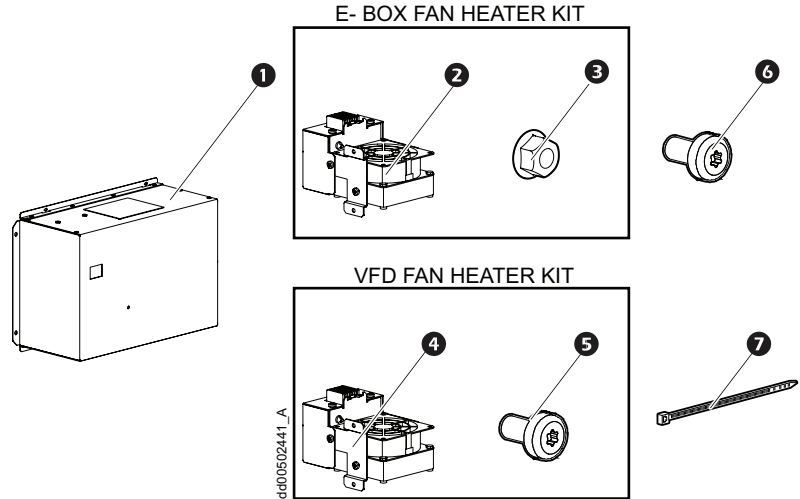


Winter Accessory Kit ACCU100—ACAC10057

Inventory



Item	Description	Quantity
1	VFD cover	1
2	E-box fan heater	1
3	M4 nut	2
4	VFD fan heater	1
5	M4x8 TORX® screw	2
6	M4x8 TORX® screw	2
7	Wire tie	1

Installation Procedure

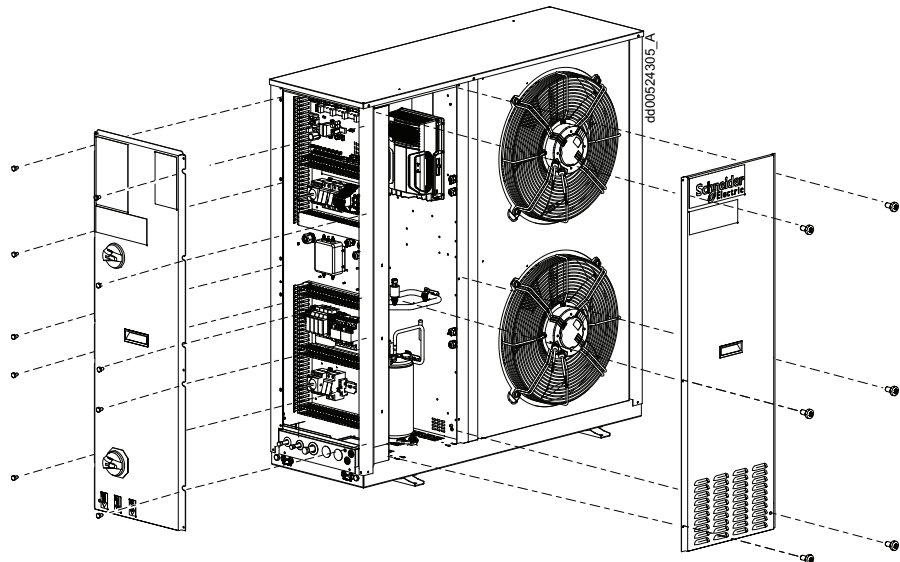
⚡⚠ DANGER

HAZARD OF ELECTRIC SHOCK, EXPLOSION, OR ARC FLASH

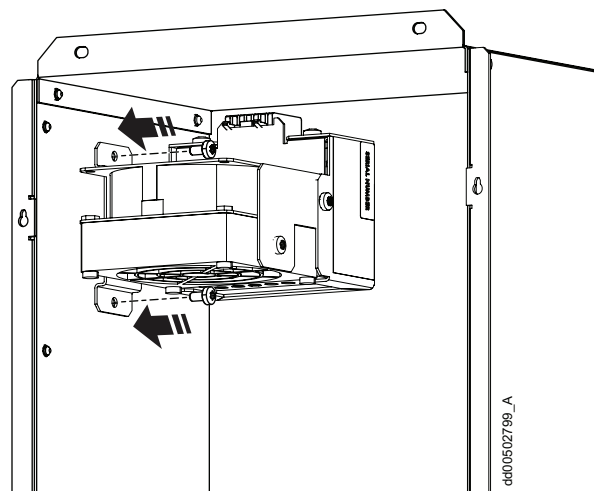
- Apply appropriate personal protective equipment (PPE) and follow safe electrical work practices.
- This equipment must be installed and serviced by qualified and trained personnel only.
- Turn off all power supplying this equipment before working on or inside the equipment. For the dry cooler only, it is necessary to remove the power supply plug before opening the electrical panel.
- Replace all devices, doors, and covers before turning on power to this equipment.

Failure to follow these instructions will result in death or serious injury.

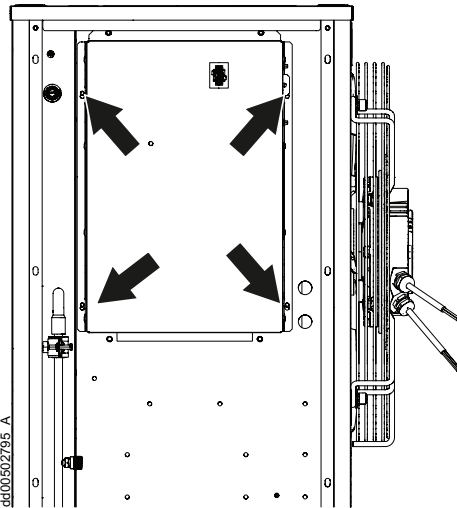
1. Disconnect the outdoor unit power supply.
2. Remove outdoor unit electrical panel access door and service panel.



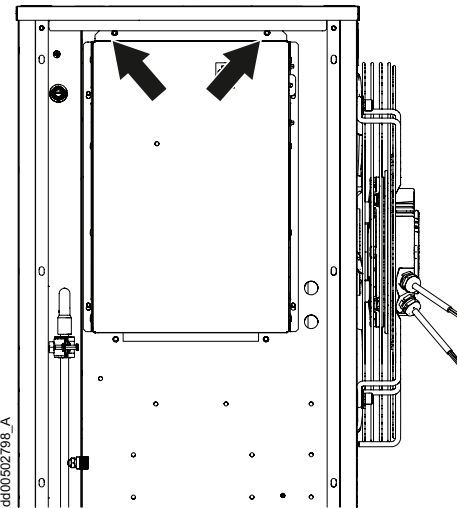
3. Install the VFD fan heater to the VFD cover with two M4 screws.



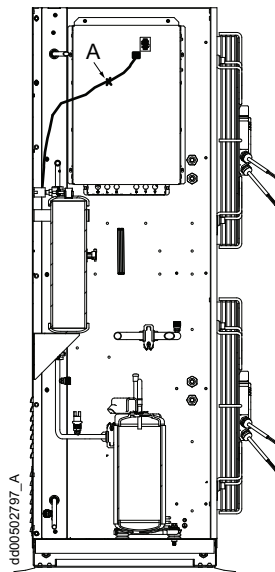
4. Mount the assembled VFD fan heater kit to the outdoor unit through the four key holes.



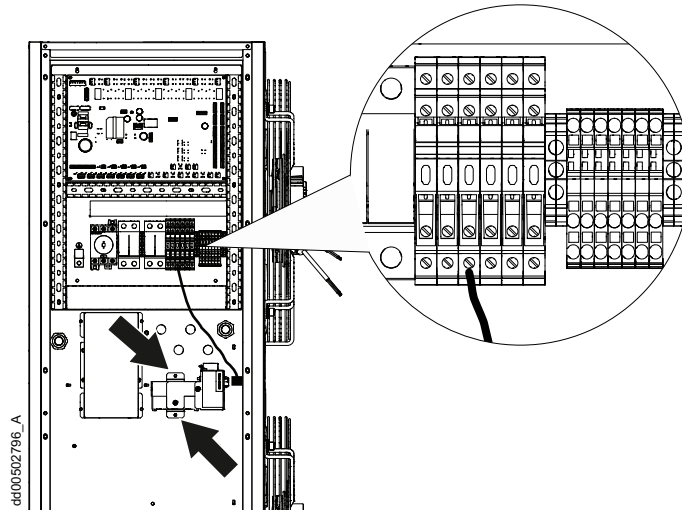
5. Fix the assembled VFD fan heater kit to the outdoor unit with two M4 screws.



6. Fix power cable to the hole with a wire tie (position A).



7. Install the E-box fan heater to the outdoor unit with two M4 nuts. The power cable is pre-installed in the outdoor unit.



8. Install the outdoor unit electrical panel access door and service panel.

Worldwide Customer Support

Customer support for this product is available at no charge in any of the following ways:

- Visit the Schneider Electric Web site to access documents in the Schneider Electric Knowledge Base and to submit customer support requests.
 - www.se.com (Corporate Headquarters)
Connect to localized Schneider Electric websites for specific countries, each of which provides customer support information.
 - www.se.com/support/
Get global support by searching the Schneider Electric Knowledge Base and using esupport.
- Contact the Schneider Electric Customer Support Center by telephone or e-mail.
Go to www.se.com > **Support** > **Contact Support** to find contact information for country-specific centers.

For information on how to obtain local customer support, contact the representative or other distributors from whom you purchased your product.