

## Multi-Input High and Low Selector Relay

The 2373-501 Selector Relay is a device designed for use in pneumatic control systems where the application requires the comparison, selection, and transmission of the highest and/or the lowest of up to six pneumatic input signals. All input ports are “dead-ended” and no signal air passes through the relay to the output ports.

The 2373-501 has been designed for pilot duty; for direct actuator operation, use with the 2372-501 Booster Relay, 2341 Series Receiver-Controllers, or other volume amplifying devices. If valves or damper actuators are equipped with positive positioning relays, the output of the 2373-501 will normally be sufficient.

### Ordering Information

Table-1 Relay.

TAC Number	Replaces Model	Function
2373-501	R533	Selects the highest and/or lowest of 6 input signals
22-150	K502	Optional Mounting Bracket

Table-2 Active Connections.

Port	Connected To
M	Main Air
L	Lowest branch output
H	Highest branch output
1 thru 6	Input Signals

### Piping Instructions

2373-501 is applied as a low pressure selector relay, all input ports must be piped with active inputs. This also holds true if both HI and LO outputs are being used. Unpiped ports would show 0 pressure and the relay output would always be 0 psig at the LO port. See typical application on page 2 as an example.

For applications utilizing only the HI output, unused inputs may be left open as the highest signal is selected.

Unused output ports (LO or HI) should be capped thereby reducing system air use.

### Specifications

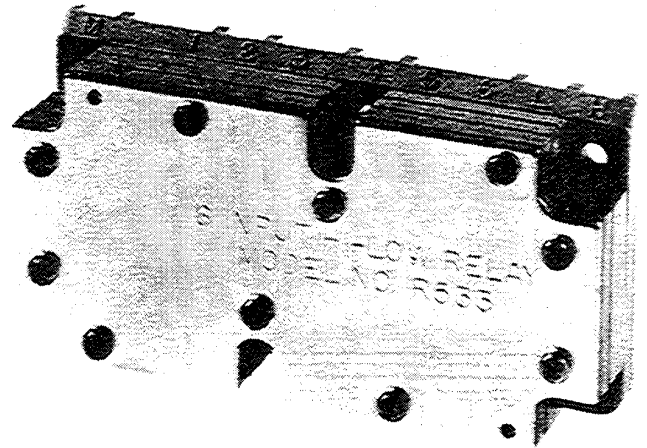
**Action:** Proportional.

**Main Air Pressure:** 20 psig operating, 30 psig maximum.

**Air Capacity:** 0.5 SCFH @ HI output port, 1.0 SCFH @ LO output port.

**Air Consumption:** 1.5 SCFH

**Maximum Ambient Temperature:** 140°F



**Mounting:** Designed for use on two 22-120 TAC Pneumodular manifold sockets. This device can also be surface mounted by using the appropriate mounting bracket (See Mounting Instructions).

**Connections:** Barbed nipples for 1/4" O.D. polyethylene or 5/32" polyurethane tubing.

**Material:** Glass-filled nylon.

### General Instructions

This device is to be used on clean, dry, oil free control air only and will operate properly when mounted in any position.

The inherent reliability of this device is enhanced and prolonged through regular inspection and preventive maintenance by a qualified control expert. Should this device become inoperative, it should be replaced by a new unit.

### Mounting Instructions & Dimensions

#### Panel Mounting

This device has been designed to be mounted on a TAC Pneumodular manifold socket. Two sockets, two gaskets and four mounting screws are required in addition to the appropriate manifold backplate. Refer to the TAC Pneumodular Parts and Accessories Data Sheet for complete ordering information.

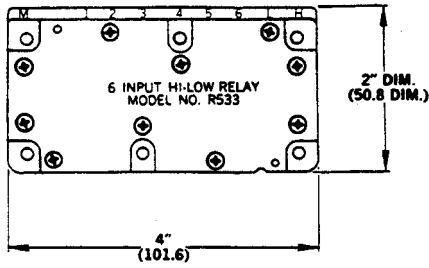


Figure-1

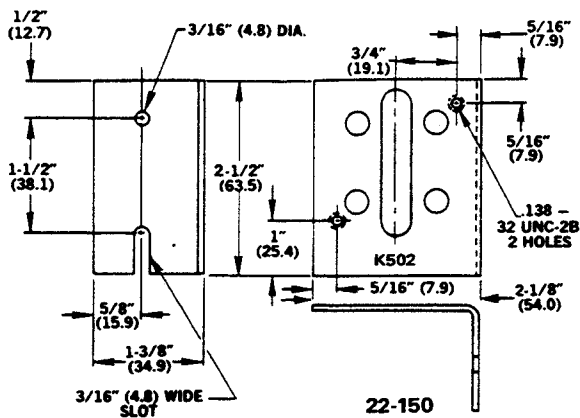


Figure-2

## Surface or Field Mounting

This device may also be mounted without the backplate, socket and gasket to replace competitive and old Robertshaw devices by using an optional 22-150 mounting bracket or by using the plastic mounting straps and adhesive bases provided with the device.

## Typical Application

In the application shown in Figure 3, the zone thermostats modulate their respective zone dampers. The zone requiring the most heating (lowest pressure) resets the hot deck controller. The zone requiring the most cooling (highest pressure) resets the cold deck controller.

### Note:

1. If the low pressure signal is being used, all ports must be piped (as in the application shown above, ports 5 and 6 are piped from port 4). If a port is left open, the low signal will always be 0 psig. If the high signal is being used, unused ports may be left open.
2. The 2373-501 is designed for pilot duty operation. For operation of final control devices (valves or actuators), a volume booster relay, such as the 2372-501, may also be used or the output of the 2373-501 may be fed to valves or actuators equipped with a positive positioning relay.

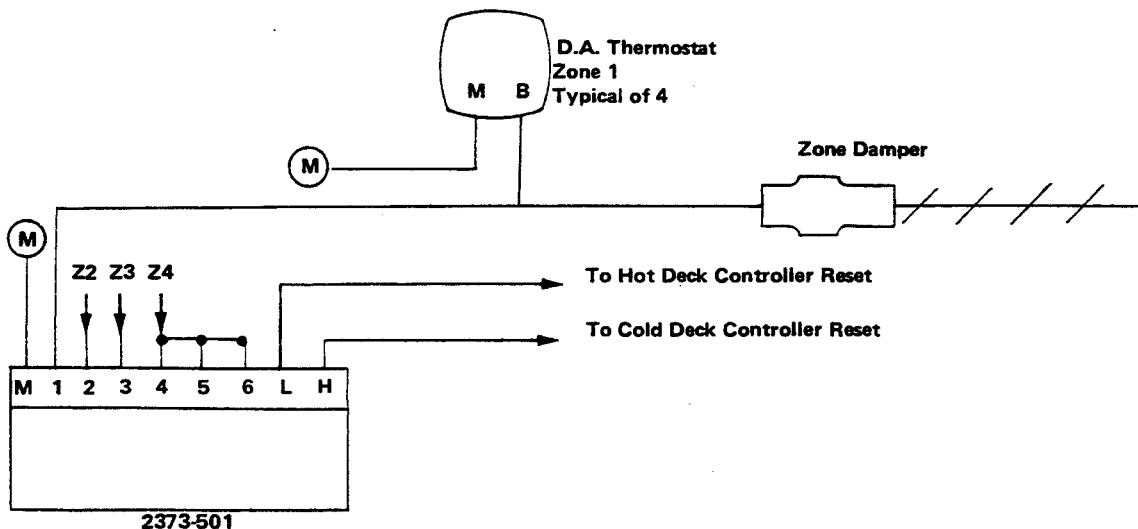


Figure-3

On October 1st, 2009, TAC became the Buildings business of its parent company Schneider Electric. This document reflects the visual identity of Schneider Electric, however there remains references to TAC as a corporate brand in the body copy. As each document is updated, the body copy will be changed to reflect appropriate corporate brand changes.

Copyright 2009, Schneider Electric  
All brand names, trademarks and registered trademarks are the property of their respective owners. Information contained within this document is subject to change without notice.

Schneider Electric  
1354 Clifford Avenue  
P.O. Box 2940  
Loves Park, IL 61132-2940

[www.schneider-electric.com/buildings](http://www.schneider-electric.com/buildings)

**Schneider**  
Electric