

FOR RECYCLING PURPOSES ONLY

Disassembly Instructions

Switch Fuses OS32...63G



Table of contents

003	Important information
004–007	Disassembly of the switch fuse
008–012	Disassembly of the pole
012–017	Disassembly of the mechanism
018–020	Component list
021	Recycling information in accordance with the WEEE

Important information

This document shows the disassembly process of OS32...63G switch fuses. Accessories, such as shafts, shrouds, additional poles and auxiliary contacts are not included. **Note! This document is for recycling purposes only.**

This document uses OS60GJ12 version as a reference product, and it covers other versions of OS32...63G switch fuses with few differences to be taken into account. These differences include number of poles, pole configuration, side or front operation. Other differences between switch fuses may result from accessories, including shafts, handles, phase barriers, shrouds, connection bars, auxiliary contacts, mechanical lugs and interlocks.

Safety Notes

Before starting the disassembly process it is mandatory to put the switch fuse in open position.

Disassembly of switch fuses must be performed by qualified and skilled personnel in the electrical field (IEV 195-04-01: person with relevant education and experience to enable him or her to perceive risks and to avoid hazards which electricity can create) and having a detailed knowledge of switch fuses.

Disassembly must be done in an ergonomic workspace which can ensure the protection of the person doing the disassembling.

Applicable national legislation and international standards in force at the time of the disassembly of the switch fuses must be taken into account in addition to the prescriptions illustrated in this document.

ABB declines any responsibility for injury to people or damage to property resulting from a failure to comply with the instructions set out in this document and with any applicable safety standard.

Personal Protective Equipment (PPE)

When doing the disassembling following safety Personal Protective Equipment (PPE) must be worn:

Glasses



Gloves



Safety shoes



Protective clothes



Tools

The disassembly process requires the use of tools (e.g. screwdriver, torx key, pliers). Tools to be used are specified inside each phase of the disassembly process.

Disassembly process

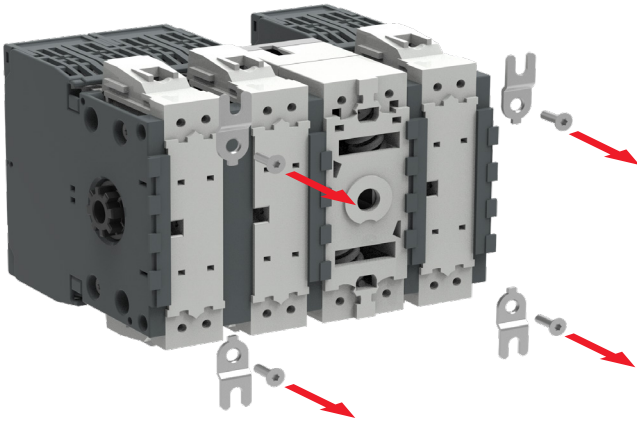
For each phase of the disassembly process the following information is provided:

- Tools to be used
- Pictures showing actions to be performed
- In case of potential hazards signal below is reported:



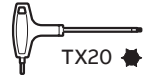
Disassembly of the switch fuse

1

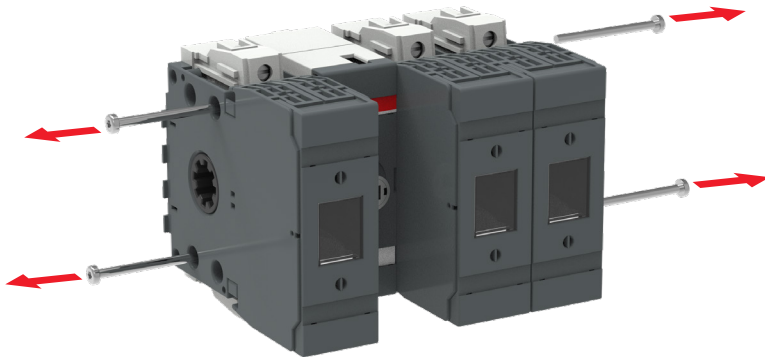


Tools

Torx key (size 20)



2

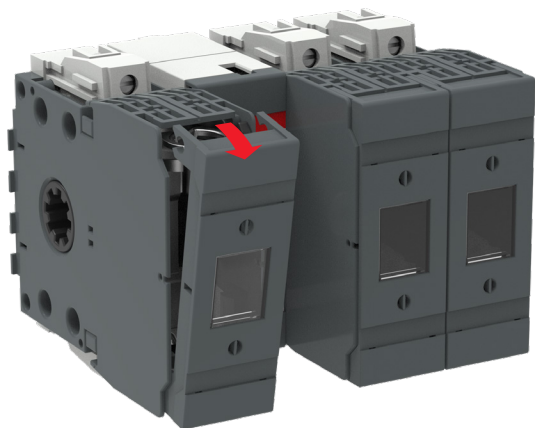


Tools

Flat screwdriver



3



4

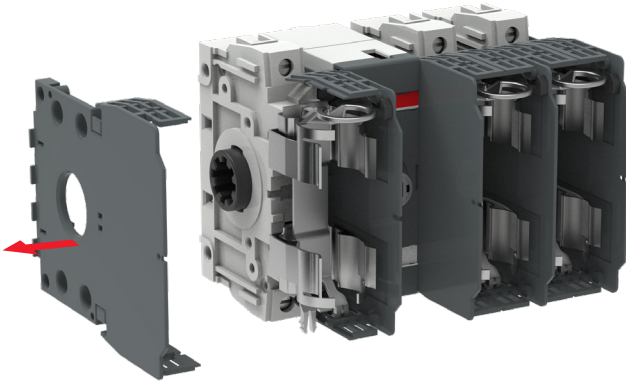


—
Tools

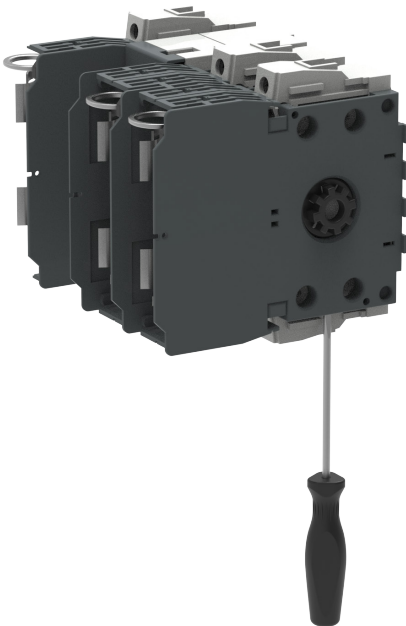
Flat screwdriver



5

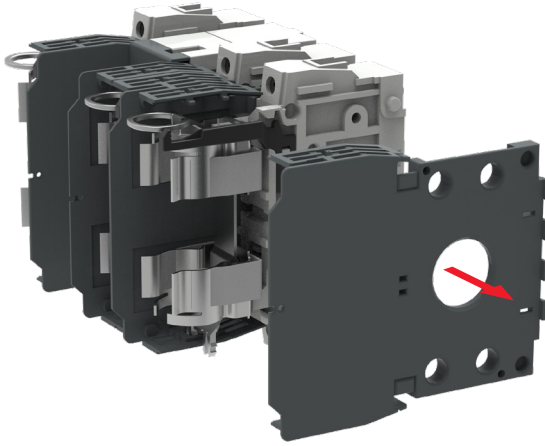


6

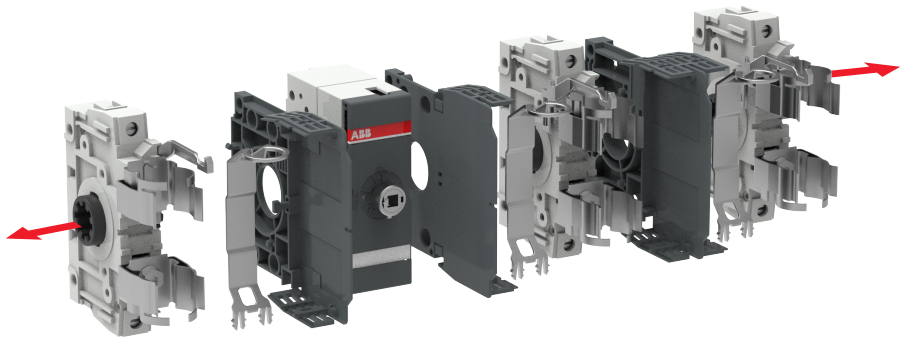


-
- Tools**
Flat screwdriver
- 

7

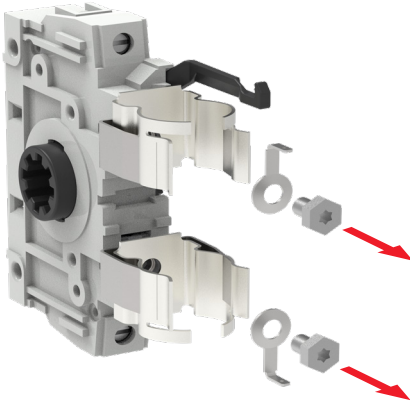


8



Disassembly of the pole

1

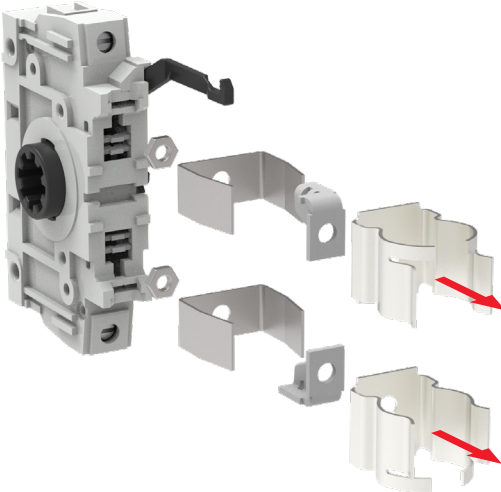


Tools

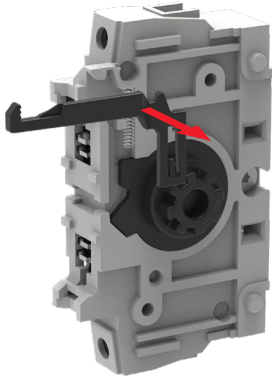
Torx key (size 20)



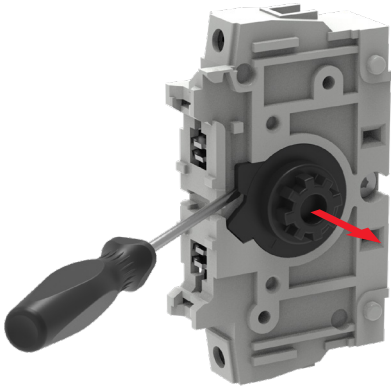
2



3



4

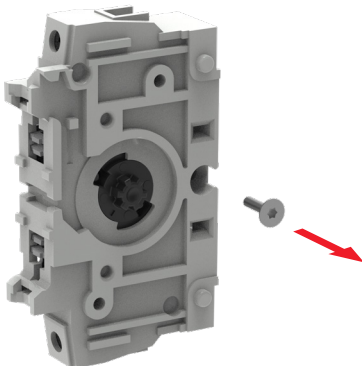


Tools

Flat screwdriver



5

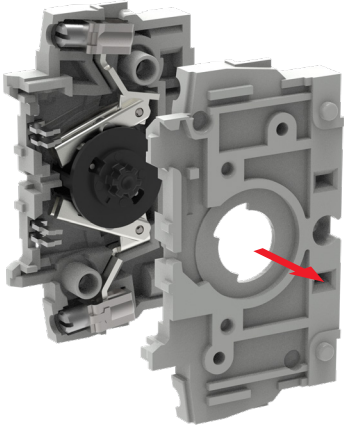


Tools

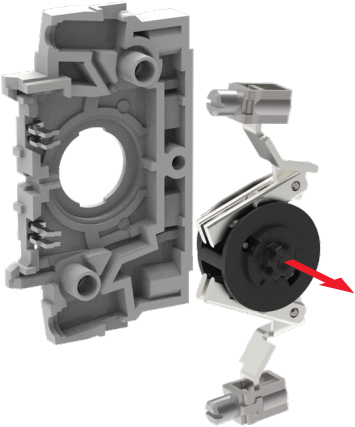
Torx key (size 20)



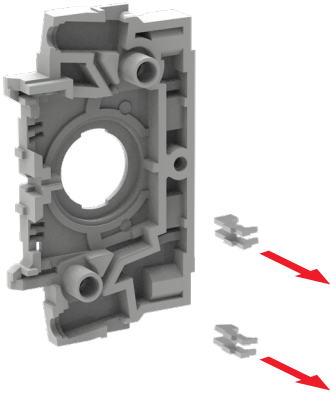
6



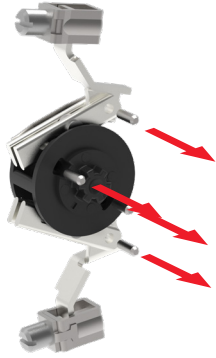
7



8



9

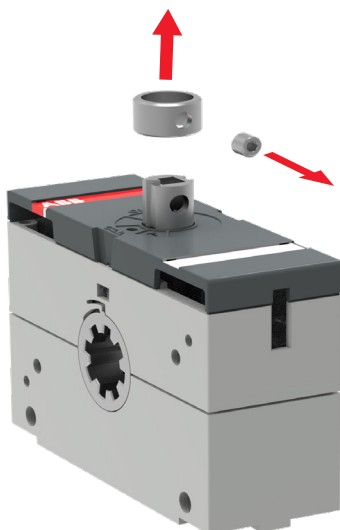


10



Disassembly of the mechanism

1



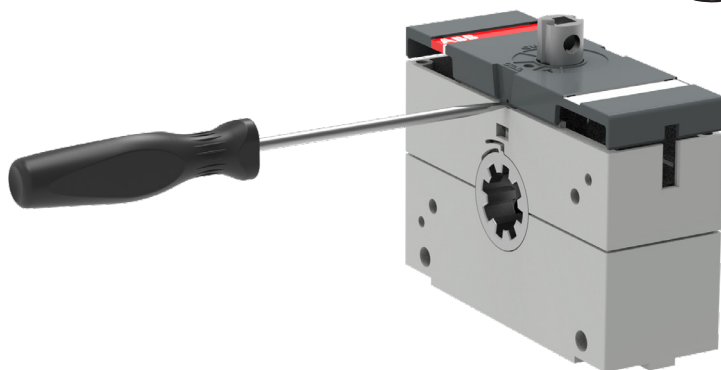
Tools

Hex key



2.5 mm

2

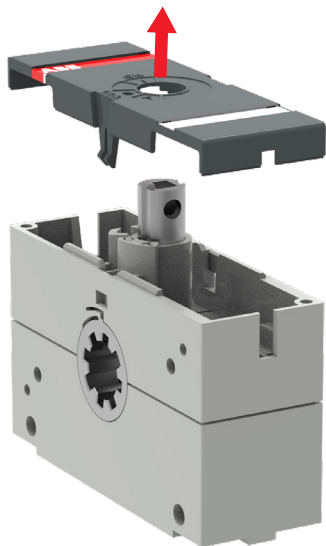


Tools

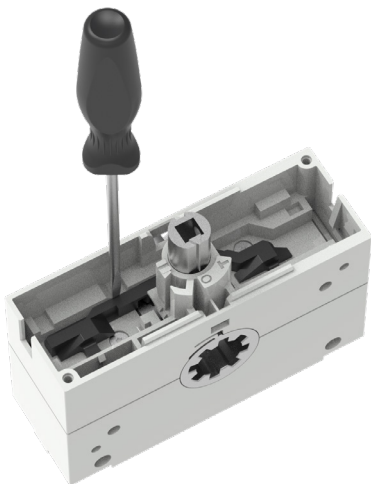
Flat screwdriver



3



4

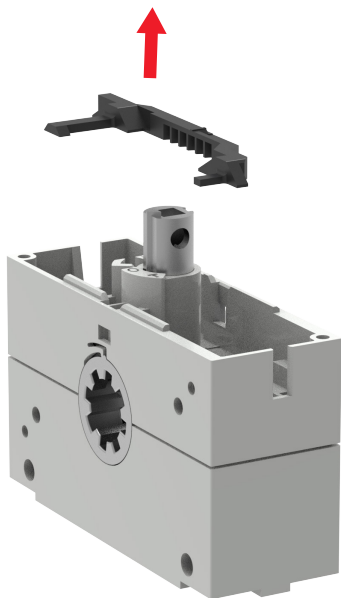


—
Tools

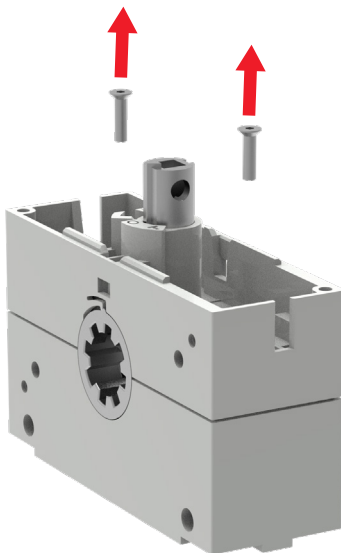
Flat screwdriver



5

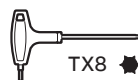


6

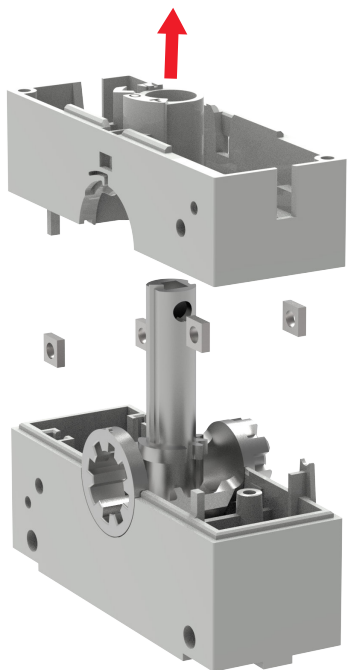


Tools

Torx key (size 8)



7



8



9



Component list

Switch fuse OS60GJ12*

Component name	Quantity	Material(s)	Weight (g/pc)
Pole	3		287
Locking plug UL	3	Polyarylamide	2
Compression spring	3	Steel	0.01
Phase barrier UL	1	Polyamide	46
End plate UL	4	Polyamide	34
Mechanism	1		228
Hexagon socket head screw	1	Steel	0.5
Locking ring	1	Steel	5.4
Slot screw torx	2	Steel	7.6
Slot screw torx	2	Steel	4.3
Mounting plate	4	Steel	3
Screw	4	Steel	1
Fuse puller	3		
Cover + window	3		14
Cover UL	1	Polycarbonate	14
Window	1	Polycarbonate	1

*This table concerns the switch fuse OS60GJ12. Components, quantities, weights and materials may vary depending on the product.

Pole

Component name	Quantity	Material(s)	Weight (g/pc)
Frame A	1	Polyester	59
Frame B	1	Polyester	60
Roll UL	1	Polyarylamide	11
Locking piece UL	1	Polyarylamide	6
Screw	1	Steel	1.6
Contact construction	1		14.1
Contact knife	2	Copper	5.5
Contact spring	1	Steel	1
Plug	1	Steel	0.75
Intermediate rod	1	Steel	1.3
Contact construction	1		14.1
Contact knife	2	Copper	5.5
Contact spring	1	Chromium steel	1
Plug	1	Chromium steel	0.75
Intermediate rod	1	Steel	1.3
Arc plate	4	Steel	0.8
Connection bar	2	Copper	6.9
Tunnel terminal	2	Steel	5.7
Holding screw	2	Steel	2.9
Plug	4	Steel	0.5
Fixed contact UL	2	Copper	6.2
Contact	2	Copper	19.4
Spring	2	Steel	10.2
Screw	2	Steel	4.1
Spring washer	2	Steel	0.9
Steel hex nut	2	Steel	1.6

Mechanism

Component name	Quantity	Material(s)	Weight (g/pc)
Plastic parts	1		104
Frame	1	Polyamide	55
Frame	1	Polyamide	38
Contact guide support	1	Polyamide	2.6
Cover	1	Polycarbonate	8
Metal parts	1		124
Pipeshaft	1	Zinc alloy	37
Lever	1	Zinc alloy	22
Lever	1	Zinc alloy	39
Spring	2	Steel	10
Rhythm spring	1	Steel	2.6
Steel nut	4	Steel	0.6
Screw	2	Steel	0.8

Recycling information in accordance with the WEEE

The product is marked with the wheelie bin symbol. It indicates that at the end of life the product should enter the recycling system.

You should dispose of it separately at an appropriate collection point and not place it in the normal waste stream.

The figure below shows the wheelie bin symbol indicating separate collection for electrical and electronic equipment (EEE).



The horizontal bar underneath the crossed-out wheelie bin indicates that the equipment has been manufactured after the Directive came into force in 2005.

The wheelie bin symbol is added to the type designation label of the product since 2017.



Contact us

ABB Oy

P.O. Box 622
FI-65101 Vaasa
Finland

abb.com/lowvoltage