

Switched DOL Starters

Plastic Enclosure to IP65

IEC947-4-1 Issue 1

Installation Instructions



Installation

- Remove cover by releasing 4 corner screws with a screwdriver.
- Wiring to overload:
- Connect leads provided from – terminal 14 to terminal 95 and terminal A2 to terminal 96
- Check operating coil voltage and frequency
- Remove appropriate top/bottom conduit knockouts.
- Mount base on a vertical surface using 4 off fixing points. To ensure environmental protection cover screws internally with supplied caps. See Figure 1.
- Connect conduit bushes
- Connect cables and ensure that all terminals are tight. Refer below for details.
- When installed, set the hand/auto rest selector and adjust the current calibration to the desired value.
- Replace cover and re-tighten cover screws.

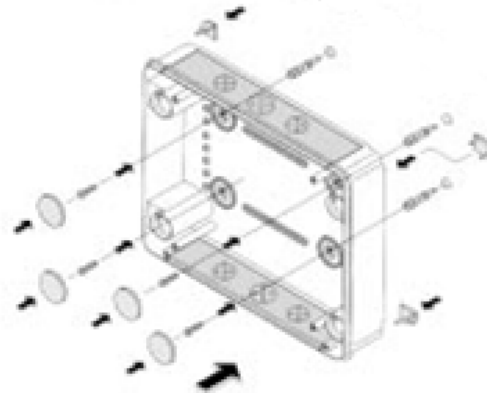


Figure 1

1TTV/S013111P0300 REV1 – 01/11

Overload Selection

Order references	Overload rating		Approximate motor rating				Recommended max. fuse size for short circuit protection A
	Full load A		400V/3PH AC3		230V/1PH		
	Min.	Max.	kW	hp	kW	hp	
TA25DU1.4	1.0	1.4	0.37	0.55	0.07	0.09	4
TA25DU1.8	1.3	1.8	0.55	0.75	0.1	0.125	10
TA25DU2.4	1.7	2.4	0.75	1.0	0.18	0.25	
TA25DU3.1	2.2	3.1	1.1	1.5	0.25	0.33	
TA25DU4.0	2.8	4.0	1.5	2.0	0.37	0.5	20
TA25DU6.5	4.5	6.5	2.2	3.0	0.55	0.75	
TA25DU11	7.5	11.0	4.0	5.5	1.1	1.5	35
TA25DU14	10.0	14.0	5.5	7.5	1.5	2.0	
TA25DU19	13.0	19.0	7.5	10.0	2.2	3.0	
TA25DU25	18.0	25.0	11.0	15.0	3.0	4.0	80
TA25DU32	22.0	32.0	15.0	20.0	4.0	5.5	

Note: This product is not suitable for d.c. applications.

Terminal capacity

Isolator	Main
All ratings	0.75...10mm ²

Overload	Main	Auxiliary
< 7.5kW	4mm ²	1x4mm ² / 2x2.5mm ²
11kW	4mm ²	" "
15kW	6mm ²	" "

Council of European Communities Directives: The products in this publication conform to relevant EEC Directives and EN Standards. Installation and use of such products must be carried out by competent, properly trained personnel, complying with any instructions supplied by the manufacturer. Liability for improper incorporation, assembly, use, processing, storing or handling of goods remains the sole responsibility of the individual, or company carrying out such work. This publication is for information only. Whilst every care has been taken in the preparation of this leaflet, no liability is accepted for any consequence of its use. No licence to use any patent should be assumed. All dimensions are approximate only and subject to change without notice, as are other technical features resulting from continual development and improvement.

Trip class requirements IEC 947-4-1

1.05 x FLC	No tripping
1.2 x FLC	Trip within 2 hours
1.5 x FLC	Trip within 4 minutes
7.2 x FLC	Trip between 4s and 10s

Features

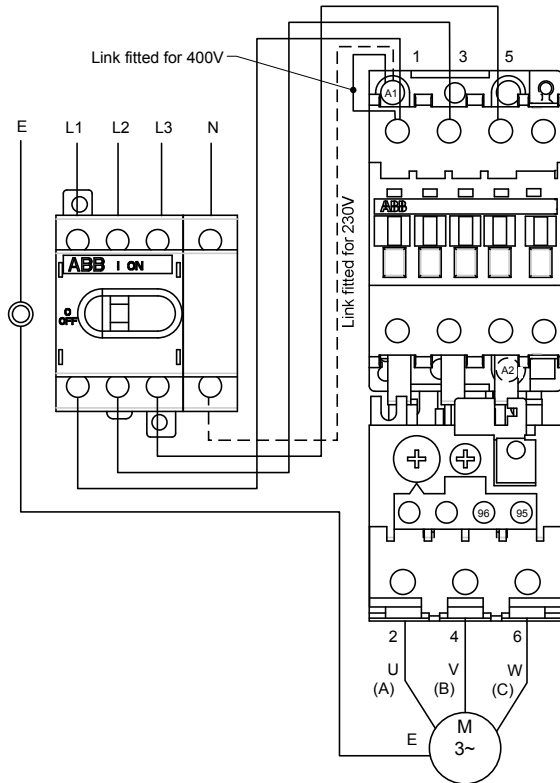
A direct-on-line starter with isolator housed in a plastic enclosure. Ingress protection to IP65.

NOTE: FLC = Full load current

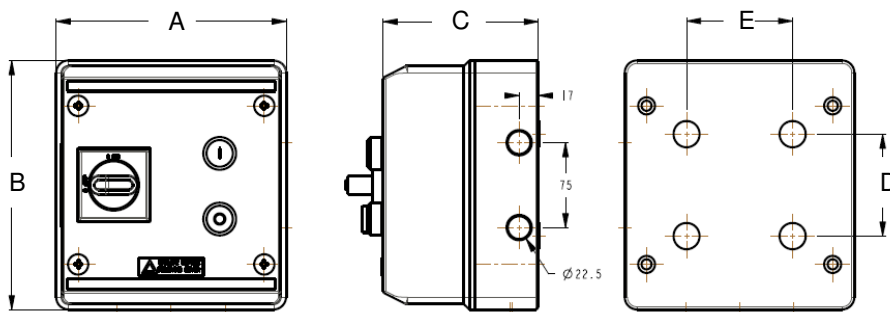
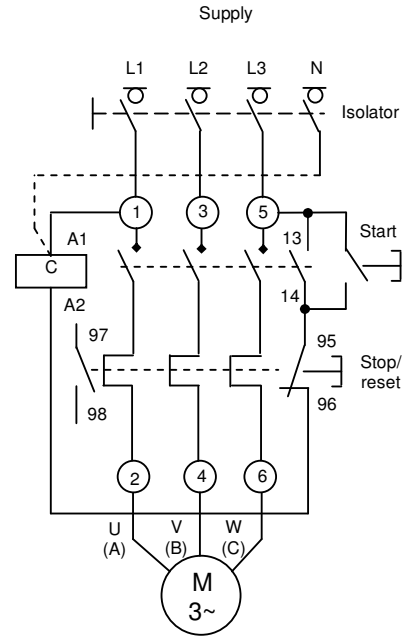
Connection Data

Type **DI40055P99 (400Vcoil)**
DI40075P99

Type **DI23055P99 (230Vcoil)**
DI23075P99



Circuit



TYPES: DI23055P99
DI40055P99
DI23075P99
DI40075P99

4 x 22.5mm Knockouts (2 per Side)
4 x 22.5mm Knockouts (2T&2B)
2 x 29mm Knockouts (1T&1B)

SCALE 0.400

Type	A	B	C	D	E
ALL VERSIONS	204	220	140	90	94

