



ABB i-bus® EIB / KNX

Electronic solid-state siren SSS, GH V927 0001 V0001



Application

The siren is used for issuing acoustic alarms within the protected area.

Function

An intermittent signal of 2.7 kHz is produced by an electronic tone generator and converted into soundwaves by a piezo element.

Version

The electronic functional element with a piezo crystal with a diameter of 50 mm is fully wear-resistant. The device does not require maintenance. A robust plastic housing serves for mechanical protection and enables the device to be operated up to an ambient temperature of + 60 °C.

Installation

The installation of the siren is carried out within the protected area. The reflector ring is locked in position in the base by two notches and removed by applying pressure. The base must be fixed with 2 screws. The terminal + is connected to 12 V, while terminal 1 is connected to 0 V. Internal alarm for intruder alarm systems (+ or -) and the corresponding output (+ or -) of the supply voltage for external loads. The device is protected against incorrect polarity.

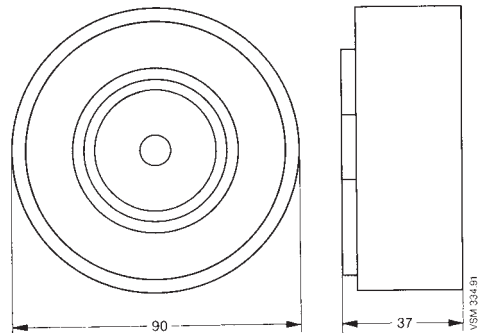
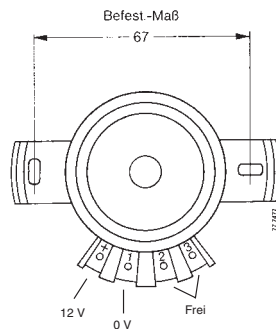
Technical Data

Nominal operating voltage	6 to 12 V-
Power consumption	max. 12 mA
Signal frequency	2.7 kHz
Volume	95 dB (A)/0.3 m
Temperature range	- 25 ... + 70° C
Dimensions (H x W x D)	90 x 90 x 37 mm

Dimensions

Base of siren

Base of siren with reflector ring



14

14

SSS

SSS



ABB i-bus® EIB / KNX

Electronic solid-state siren
SSS, GH V927 0001 V0001

14

14

SSS

SSS