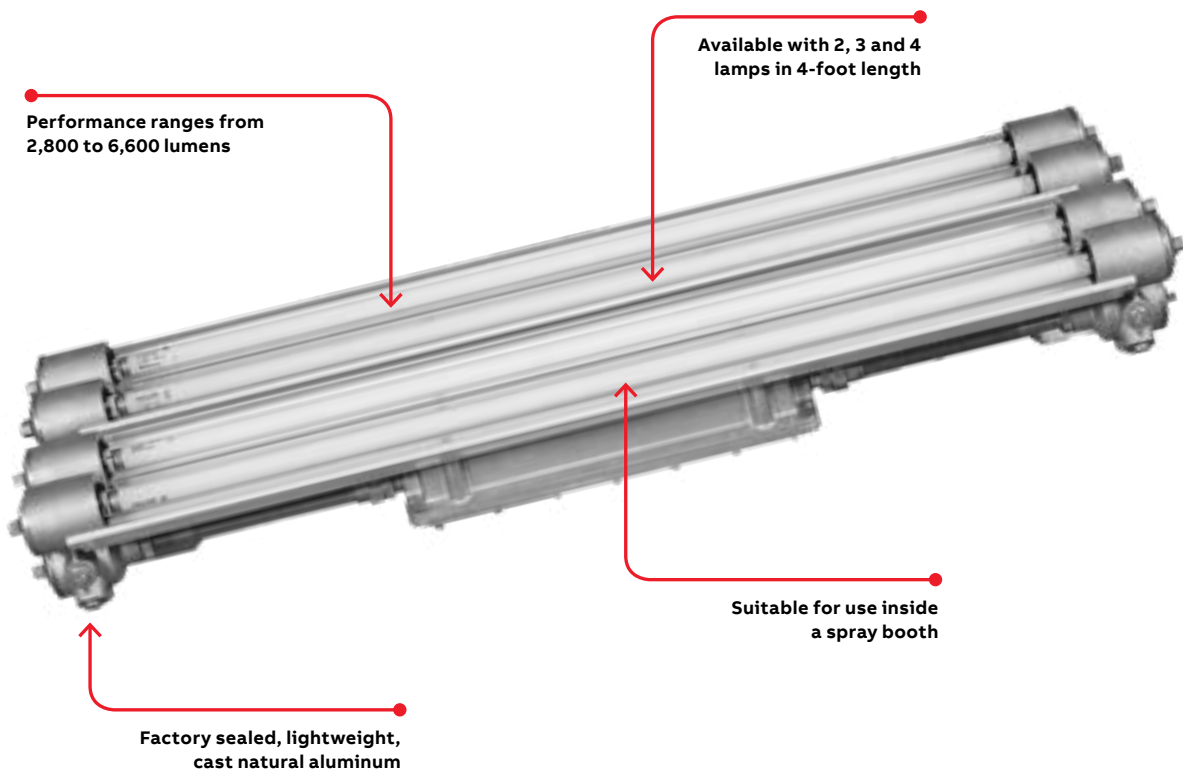


XLN7

LED Series

Versatile, lightweight, explosion-proof lighting that is built to last. Can be mounted on walls, ceilings or inside a spray booth.



CERTIFICATIONS



UL844
UL 1598 wet/damp
UL8750



CLASSIFICATION

| | |
|---|-------------------|
| CLASS I | |
| Division 1 | Groups C, D |
| Division 2 | Groups A, B, C, D |
| Zone 1 | Groups IIB, IIA |
| CLASS II | |
| Division 1 | Group E, F, G |
| Division 2 | Group E, F, G |
| CLASS III | |
| CLASS I and II Simultaneous Presence | |

Contact your ABB sales representative to verify classification

XLN7 LED

Key features and benefits

Standard features

- Factory-sealed, lightweight cast natural aluminum
- 5 Different ½" NPT hubs entries at each end
- Center ballast placement for better balance and low profile
- Available with 2, 3 or 4 lamps in 4-foot length
- One-piece painted aluminum reflector
- Suitable for use inside a spray booth

Construction

- Cast natural aluminum
- 0.189" wall borosilicate glass tubes

Electrical

- Available with low or standard ballast factor
- Wattage ranging from 29 W in the 2-lamp standard configuration, to 58 W in the 4-lamp configuration (see wattage table below)
- Voltage of 120 to 277 (50/60Hz) and 347 available

Color rendering index

- Superior CRI (80+)

Options

- Wall and ceiling mount kit (4 lamps)
- Wire guard
- Polycarbonate shield
- 93% reflective premium specular reflector insert

Accessories

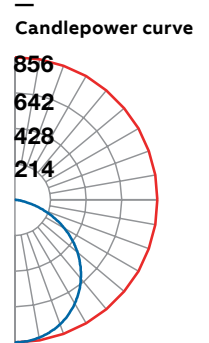
- Wall, ceiling and drop mount kit

Performance

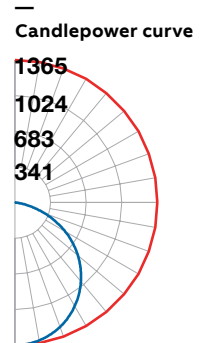
| Lamp qty. | Source (ballast factor) | Average system watts | Initial lumen output | Color temperature |
|-----------|-------------------------|----------------------|----------------------|-------------------|
| 2 Lamp | S - Standard | 29 | 3200, 3300 | 4000K, 5000K |
| 3 Lamp | S - Standard | 43.5 | 4800,4950 | 4000K, 5000K |
| 4 Lamp | S - Standard | 58 | 6400,6600 | 4000K, 5000K |

Photometry ceiling mount

| Reference data | |
|---------------------------------|------------------------|
| Catalog number | XLN7S5K24UN |
| Luminaire lumens | 3,024 Lumens (2 lamps) |
| Luminaire efficacy rating (LER) | 105 |
| Input watt | 28.68 |
| Spacing criterion (0-180) | 1.26 |
| Spacing criterion (90-270) | 1.40 |
| Spacing criterion (diagonal) | 1.48 |



| Reference data | |
|---------------------------------|------------------------|
| Catalog number | XLN7S5K34UN |
| Luminaire lumens | 4,803 Lumens (3 lamps) |
| Luminaire efficacy rating (LER) | 110 |
| Input watt | 43.72 |
| Spacing criterion (0-180) | 1.26 |
| Spacing criterion (90-270) | 1.40 |
| Spacing criterion (diagonal) | 1.48 |



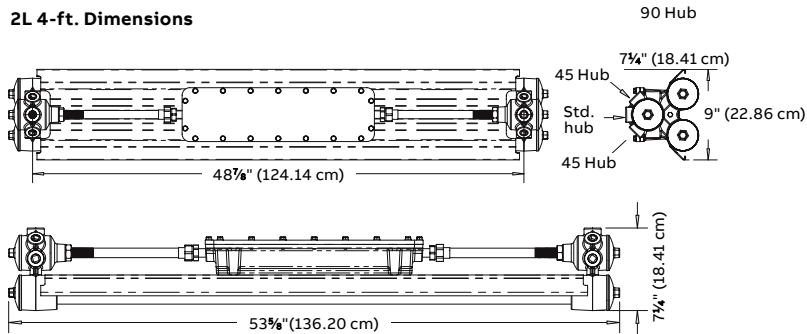
T-Ratings

| Model | Rated ambient (°C) | Class I, Division 1 Groups C, D | Class I, Division 2 Groups A, B, C, D | Class II, Division 1 Groups E, F, G | Class II, Division 2 Groups E, F, G | Class I and II simultaneous presence |
|-------|--------------------|---------------------------------|---------------------------------------|-------------------------------------|-------------------------------------|--------------------------------------|
| XLN7 | 40 | T6 (85°C) | T6 (85°C) | T4 (135°C) | T4 (135°C) | T4 (135°C) |

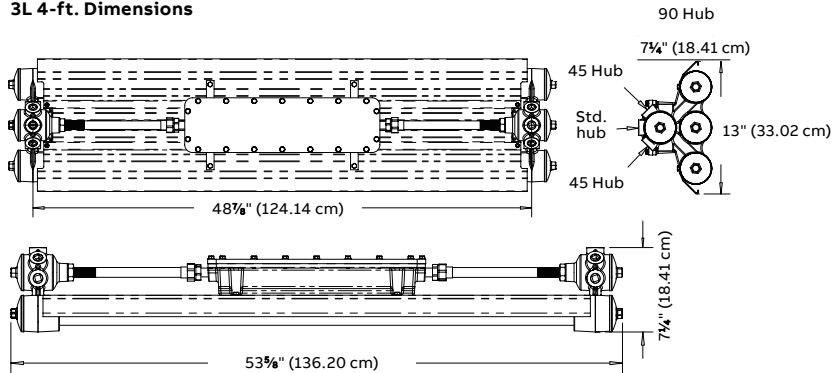
XLN7 LED

Dimensions

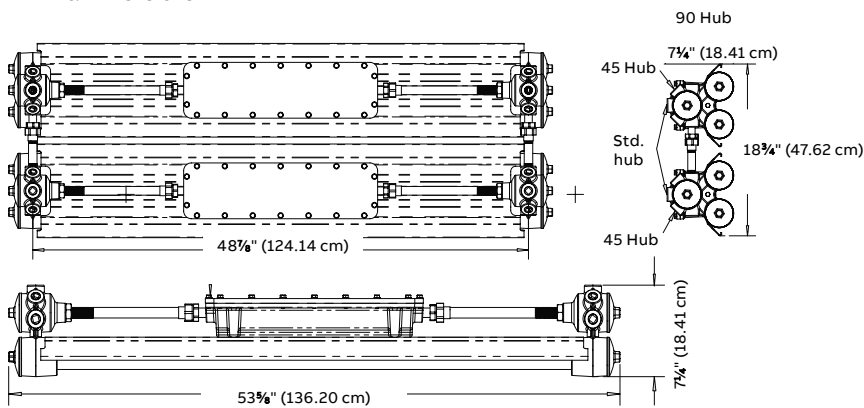
2L 4-ft. Dimensions



3L 4-ft. Dimensions



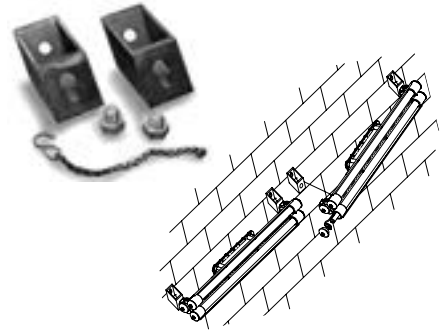
4L 4-ft. Dimensions



Mounting options

Wall/ceiling mount kit for 2 or 3 lamps

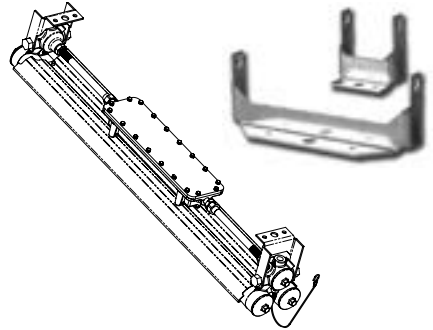
P/N: XLN7-4401



Wall/ceiling mount kit for 4 lamps

P/N: XLN7-4400

These are factory fitted. Please contact sales office for further details.

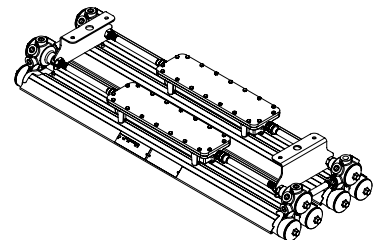


Drop-mount kit for 2 or 3 lamps

P/N: XLN7-4405

For 4 lamps

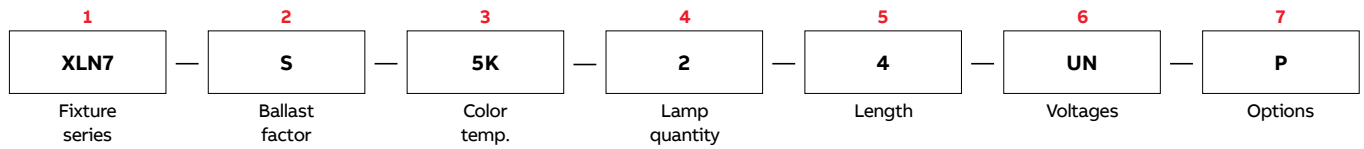
P/N: XLN7-4403



XLN7 LED

Numbering system

Lighting fixture



Lighting fixture

| Part | Part number | Description |
|---------------------|-------------|--|
| 1 Fixture series | XLN7 | ABB-EX Solutions Linear Luminaire 7 Series |
| 2 Ballast factor | S | Standard ballast factor |
| 3 Color temperature | 4K | 4000K |
| | 5K | 5000K |
| 4 Lamp quantity | 2 | 2 lamp configuration, 4' length |
| | 3 | 3 lamp configuration, 4' length |
| | 4 | 4 lamp configuration, 4' length |
| 5 Length | 4 | 4' length |
| 6 Voltages | UN | Universal voltage 120-277 50/60 Hz |
| | 34 | 347 Volt |

Options

| Part | Part number | Description |
|-----------|-------------|----------------------------------|
| 7 Options | P | Polycarbonate shield 2 lamps 4' |
| | WG | Stainless steel guard |
| | MK | Wall/ceiling mount kit (4 lamps) |

Accessories (order separately)

| Part number | Description |
|-------------------------|---|
| XLN7-4401-EX | Wall and ceiling hanger kit 2 or 3 lamp |
| XLN7-4405-EX | Drop hanger kit 2 or 3 lamp |
| XLN7-4403-EX | Drop hanger kit 4 lamp |
| XLN7-4211-EX | Stainless steel guard 2 lamp 4' |
| XLN7-4557-EX | Stainless steel guard 3 lamp 4' |
| (2)XLN7-4211-EX | Stainless steel guard 4 lamp 4' |
| XLN7-4209-EX | Polycarbonate shield 2 lamp 4' |
| XLN7-4497-EX | Polycarbonate shield 3 lamp 4' |
| (2) XLN7-4209-EX | Polycarbonate shield 4 lamp 4' |

