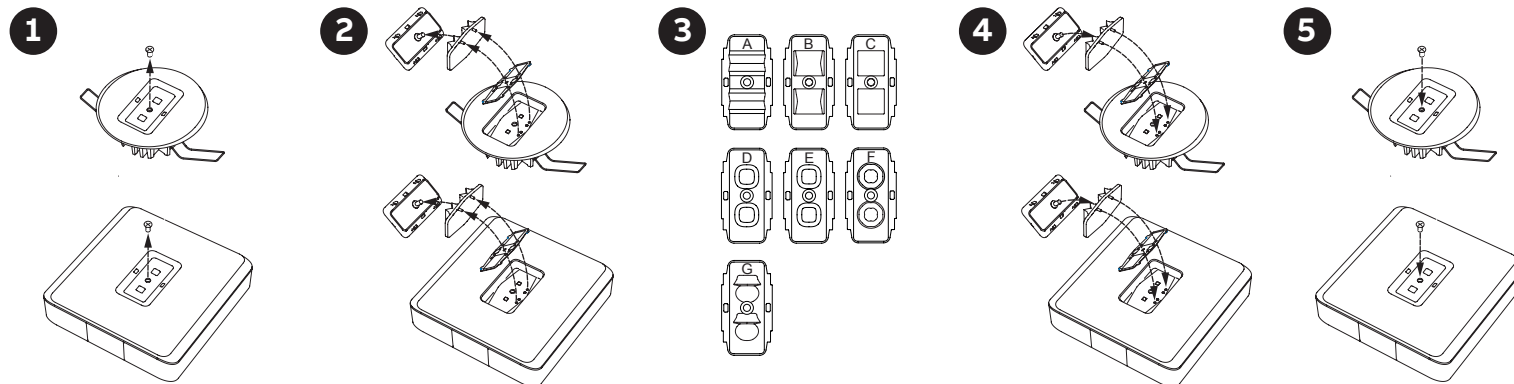
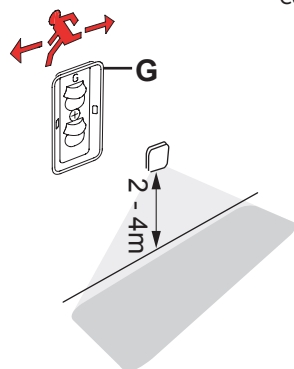


LENZEN WISSELEN / EXCHANGE OF LENSES / OBJECTIV WECHSELEN / CHANGER LES LENTILLES



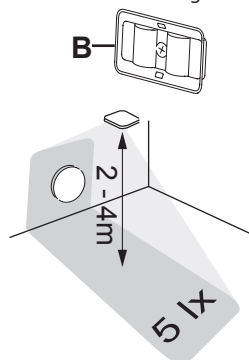
WAND / WALL / MURAL

Vluchtweg
Corridor
Flur
Couloirs

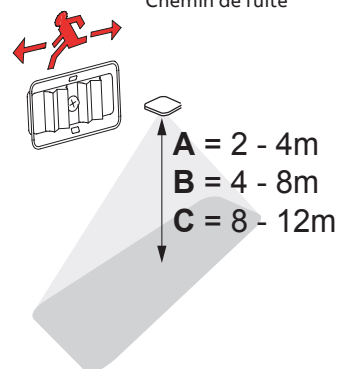


PLAFOND / CEILING / DECKE

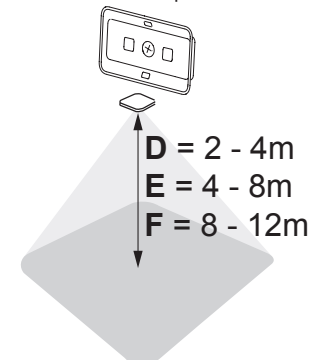
Object verlichting
Object lighting
Objektbeleuchtung
Eclairage d'objet



Vluchtweg
Corridor
Flur
Chemin de fuite



Anti-paniek
Open area
Fläche
Espaces ouverts



We reserve the right to make technical changes or modify the contents of this document without prior notice. With regard to purchase orders, the agreed particulars shall prevail. ABB AG does not accept any responsibility whatsoever for potential errors or possible lack of information in this document. We reserve all rights in this document and in the subject matter and illustrations contained therein. Any reproduction, disclosure to third parties or utilization of its contents – in whole or in parts – is forbidden without prior written consent of ABB AG. Copyright© 2017 ABB All rights reserved.