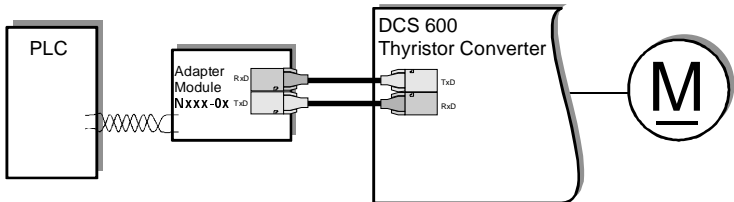


DCS 600 Thyristor Converter
for DC drive systems
25 to 5150 A

Description of the drive-specific
serial link interconnections

PROFIBUS	NPBA-02
MODBUS	NMBA-01
MODBUS+	NMBP-01
CS 31	NCSA-01



Description of the drive-specific
serial link interconnections

3ADW 000 097 R0101

EFFECTIVE: 22.mar. 99
SUPERSEDES: NONE

General Instructions

Overview	This manual describes the DCS 600 drive-specific part of the Installation and Start-up Guides for the different serial link adapter modules (e.g. PROFIBUS Adapter Module NPBA-02, MODBUS Adapter Module NMBA-01). This document includes the information about available adapter modules and is to be used together with the appropriate adapter module's Installation and Start-up guide.
Safety Instructions	Observe the Safety Instruction made in the Installation and Start-up guides of the module.
Procedure	<p>Read the Installation and Start-up guide of the desired adapter module. Then refer to this manual and get the needed drive-specific information.</p> <p>Communication parameter setup for each supported serial link are also described in the <i>DCS 600 Operating Instructions</i>.</p>

General Instructions

Table of Contents

Chapter 1 – General 1-1

Overview	1-1
Modules available	1-1

Chapter 2 – ABB Drive Profile 2-1

Overview	2-1
Control Word	2-1
Status Word	2-2
Communication Fault	2-4
Parameter transmission	2-4
Communication Parameters	2-5

Chapter 3 – Connection 3-1

Connection to the DCS 600 converter	3-1
---	-----

Appendix A – Parameter Tables

Table of Contents

Chapter 1 – General

Overview

This chapter contains a list of the available serial link Bus Adapter Modules.

Modules available

NPBA-02	PROFIBUS (from Software rev. 2.1 upward)
NMBA-01	MODBUS (from Software rev. 1.5 upward)
NMBP-01	MODBUS+ (from Software rev. 1.2 upward)
NCSA-01	CS31 (from Software rev. 1.5 upward)

Chapter 1 – General

Chapter 2 – ABB Drive Profile

Overview This chapter contains a short description of the ABB Drive Profile.

Control Word The contents of the Control Word is presented in the following table.

Note: The explanation is based on the PROFIBUS Profile for adjustable speed drives, which is a part of PROFIBUS protocol family (specified in the DIN 19245 Standard).

Table 2-1 The Control Word References

Bit	Name	Value = 1	Value = 0
0	ON (OFF1_N)	Command to "RDYRUN" state: start fans, field and close main contactor	Command to "OFF" state: Ramp Stop, then Open contactor, stop field and fans
1	OFF2_N	No OFF2 (Emergency OFF or Coast Stop)	Command to "ON INHIBIT" state via Coast Stop
2	OFF3_N	No OFF 3 (Emergency STOP)	Command to "ON INHIBIT" state via Emergency Stop
3	RUN	Command to "RDYREF" state: Run with selected reference	Stop by coasting
4	RAMP_OUT_ZERO	No other activities	Speed ramp output is forced to zero
5	RAMP_HOLD	No other activities	Speed ramping is stopped
6	RAMP_IN_ZERO	No other activities	Speed ramp input is forced to zero
7	RESET	acknowledge a fault indication	
8	INCHING_1	Constant speed 1 (23.2) selected	
9	INCHING_2	Constant speed 2 (23.3) selected	
10	VALID_COMMAND	No other activities	Freeze main command word and main references
11	reserved	(reserved)	
12	reserved	(reserved)	
13	reserved	(reserved)	
14	reserved	(reserved)	
15	reserved	(reserved)	

Reference Reference is a 16-bit signed integer. Reference is used as the speed reference SPEED REF (23.01) for the DCS 600.

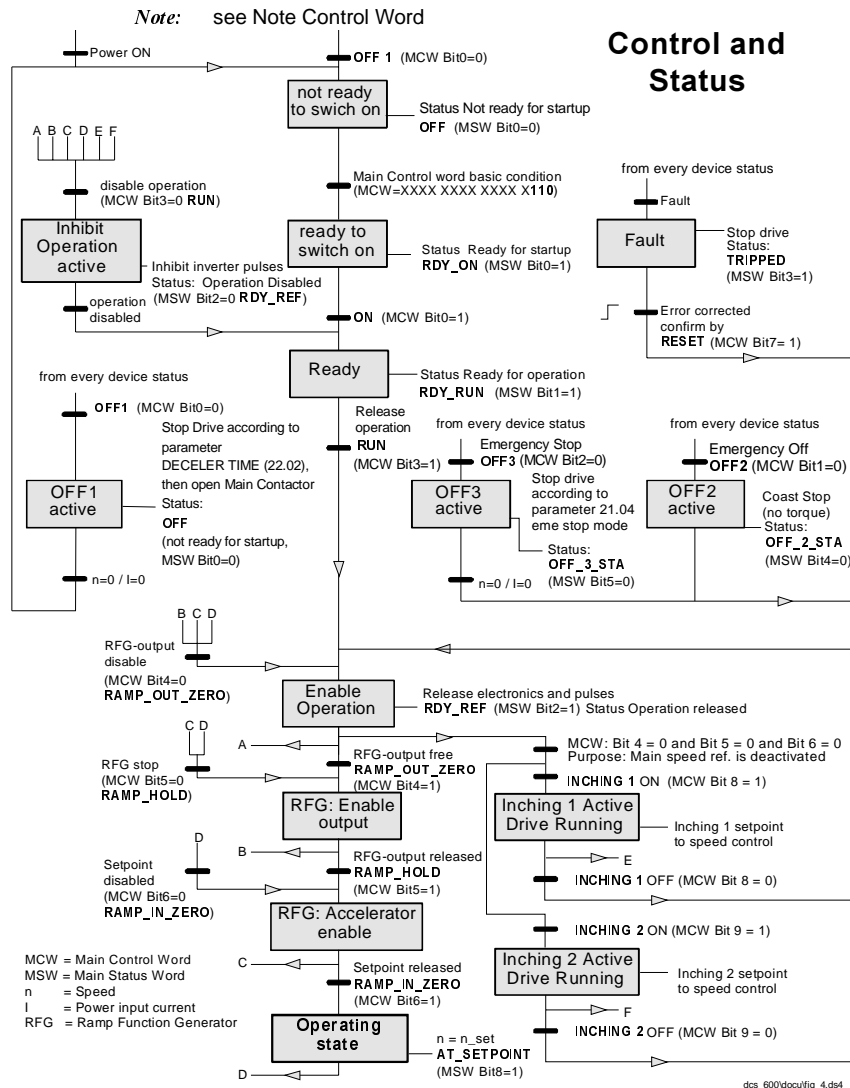
Status Word The contents of the Status Word is presented in the following table.

Note: see Note Control Word

Table 2-2 The Status Word

Bit	Name	Value = 1	Value = 0
0	RDY_ON	ready to close the contactor	not ready to close contactor
1	RDY_RUN	ready to generate torque	not ready
2	RDY_REF	torque control operating (running)	operation inhibited
3	TRIPPED	indication of fault in DCS600 MultiDrive	
4	OFF_2_STA_N	No OFF2 active	OFF2 active
5	OFF_3_STA_N	No OFF3 active	OFF3 active
6	ON_INHIBITED	Switch on inhibited	
7	ALARM	indication of alarm in DC Device	
8	AT_SETPOINT	Setpoint/act.value monitoring in the tolerance	
9	REMOTE	Remote control	Local control
10	ABOVE_LIMIT	speed treshhold value (20.04) reached	
11	reserved	(reserved)	
12	reserved	(reserved)	
13	reserved	(reserved)	
14	reserved	(reserved)	
15	reserved	(reserved)	

Switch on sequence DCS 600 converter via Fieldbus



Communication Fault

The user can program the drive's reaction on communication faults by means of the following parameters.

With parameter 9.20 COMM FAULT FUNC, the drive's reaction on COMM FAULTs can be programmed. If this parameter is set to NOTHING (3), only 'Fieldbus Timeout' (Fault Code 60) is entered in the FAULT LOGGER and F60 is displayed on the 7-segment-display, after a COMM FAULT has occurred.

CH0 TIMEOUT (70.04)
The delay time before a communication break event is generated. The time count starts when the link doesn't update any of the first 2 receive-datasets addressed by dset base address (70.20). (Example: dset base address = 10: the reception of datasets 10 and 12 is supervised.) Whether an alarm or a fault is generated, depends on the programmed value of ch0 com loss ctrl (70.05). With the value 0, the timeout supervision is disabled.

CH0 COM LOSS CTRL (70.05)
This parameter defines the action after a communication fault of the AMC-DC board's DDCS channel 0. 0: DYN BRAKING: dynamic braking 1: RAMP STOP: stop according to eme stop ramp 22.04 2: TORQUE LIMIT: stop by torque limit) 3: COAST STOP: torque is zero 4: LAST REF: use last reference (alarm is generated) 5: CONST SPEED1: use CONST SPEED 1 (23.02) (alarm is generated) Note! If an emergency stop occurs simultaneous to the communication fault, the drive stops according to the programmed emergency stop mode.

Parameter transmission

The Modules NPBA-02 (PROFIBUS), NMBA-01 (MODBUS) and NMBP-01 (MODBUS+) are able to transfer parameters. See appendix A for detailed information.

Communication Parameters

The following parameters configure the DDCS channel 0

CH0 NODE ADDR (70.01) = 1

CH0 LINK CONTROL (70.02) optical power / cable length (use default)

DSET BASE ADDRESS (70.20) must be set to 1

The contents of the Datasets 1 and 3, transmitted from the fieldbus adapters to the drives, are programmed by means of the parameters 90.01...91.06.

The contents of the Datasets 2 and 4, received by the fieldbus adapters from the drives, are programmed by means of the parameters 92.01...93.06.

Parameter	Drive receive		Drive transmit	
70.20	10	→ 1	10	→ 1
<i>The number of datasets depends on the used fieldbus adapter!</i>				
	Dataset No.		Dataset No.	
Parameter			Parameter	
90.01, 90.02, 90.03	10	→ 1	92.01, 92.02, 92.03	11 → 2
90.04, 90.05, 90.06	12	→ 3	92.04, 92.05, 92.06	13 → 4
<i>The following entries are not available for the actual fieldbus adapters.</i>				
...	14	→ 5	...	15 → 6
	16	→ 7		17 → 8
	18	→ 9		19 → 10
	20	→ 11		21 → 12
...	22	→ 13	23 → 14
91.04, 91.05, 91.06	24	→ 15	93.04, 93.05, 93.06	25 → 16

There are parameters to control the communication between:

- Fieldbus (PLC) and fieldbus adapter
- Fieldbus and DDCS Dataset
- DDCS Dataset and Dataset table

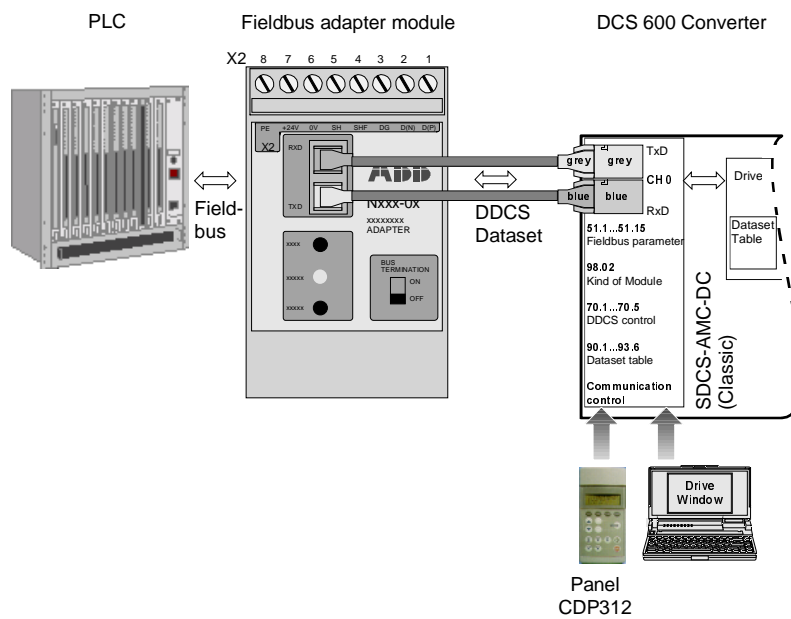


Figure 2-1 Control of DDCS communication

Chapter 3 – Connection

Connection to the DCS 600 converter

NPBA-02
NMBA-01
NCSA-01

The connections to the DCS 600 converter are valid for the following Adapter Modules

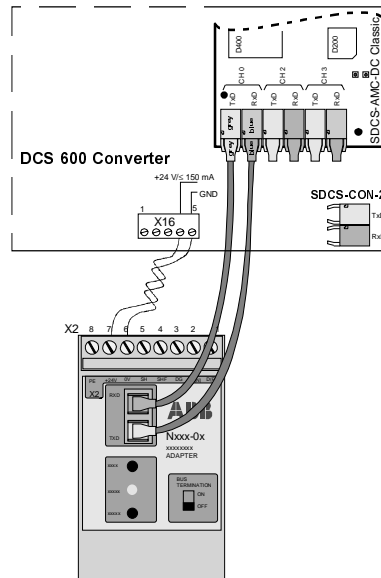


Figure 3-1 Connecting the fibre optic.

X2		Description
1	D(P)	D(P) = Data Positive (Conductor 1 in twisted pair)
2	D(N)	D(N) = Data Negative (Conductor 2 in twisted pair)
3	DG	DG = Data Ground
4	SHF	Filtered Shield (Earthed via an RC filter)
5	SH	Shield (Earthed)
6	0V	Power supply for the module (3 W)
7	+24 V	from another stable 24 V d.c. supply.
8	PE	Earth

Table 3-1 Description of terminal block X2.

NMBP-01 The connection of the NMBP-01 module to the DCS 600 converter is shown in Figure below.

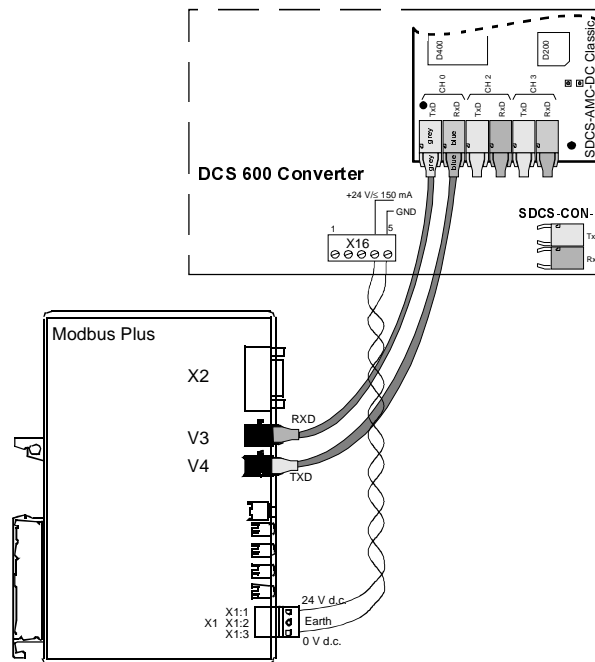


Figure 3-2 Connecting the NMBP-01.

Appendix A – Parameter Tables

The tables below show the drive-specific parameters.

Group	Index	DCS 600 Parameter	PROFIBUS	MODBUS /
			(add 4000 in FMS mode) Par. No	MODBUS+ Par. No
		<i>ACTUAL VALUES</i>		
1	1	MOTOR SPEED FILT	1	40101
1	2	SPEED ACTUAL/EMF	2	40102
1	3		3	40103
1	4	MOTOR SPEED	4	40104
1	5		5	40105
1	6	MOTOR CURRENT	6	40106
1	7	MOTOR TORQUE FILT	7	40107
1	8	MOTOR TORQUE	8	40108
1	9	CUR RIPPLE 2	9	40109
1	10	CUR RIPPLE 2 FILT	10	40110
1	11	RL MAINS VOLT ACT	11	40111
1	12	MAINS VOLT ACT	12	40112
1	13	RL ARM VOLT ACT	13	40113
1	14	ARM VOLT ACT	14	40114
1	15	RL CONV CUR ACT	15	40115
1	16	CONV CUR ACT	16	40116
1	17	RL EMF VOLT ACT	17	40117
1	18	EMF VOLT ACT	18	40118
1	19	SELECTED BRIDGE	19	40119
1	20	MOT 1 CALC TEMP	20	40120
1	21	MOT 2 CALC TEMP	21	40121
1	22	MOT 1 MEAS TEMP	22	40122
1	23	MOT 2 MEAS TEMP	23	40123
1	24	HEAT SINK TEMP	24	40124
1	25	CONTROL MODE	25	40125
1	26	LED PANEL OUTPUT	26	40126
1	27	LOAD CUR ACT	27	40127
1	28	LOAD CUR ACT FILT	28	40128
1	29		29	40129
1	30		30	40130
1	31		31	40131
1	32		32	40132
1	33		33	40133

Appendix A – Parameter Tables

Group	Index	DCS 600 Parameter	PROFIBUS	MODBUS /
			(add 4000 in FMS mode) Par. No	MODBUS+ Par. No
		<i>ACTUAL VALUES</i>		
2	1	SPEED REF 2	34	40201
2	2	SPEED REF 3	35	40202
2	3	SPEED ERROR NEG	36	40203
2	4	TORQUE PROP REF	37	40204
2	5	TORQUE INTEG REF	38	40205
2	6	TORQUE DER REF	39	40206
2	7	TORQ ACC COMP REF	40	40207
2	8	TORQ REF 1	41	40208
2	9	TORQ REF 2	42	40209
2	10	TORQ REF 3	43	40210
2	11	TORQ REF 4	44	40211
2	12	TORQ REF 5	45	40212
2	13	TORQ USED REF	46	40213
2	14	TORQUE CORRECTION	47	40214
2	15		48	40215
2	16	DV/DT	49	40216
2	17	SPEED REF 1	50	40217
2	18	SPEED REF 4	51	40218
2	19	TC TORQMAX	52	40219
2	20	TC TORQMIN	53	40220
2	21	ARM CUR ACT SL	54	40221
2	22	ARM CUR ALL	55	40222
2	23	CONV CUR ALL	56	40223
2	24	ARM ALPHA SL	57	40224
2	25		58	40225
2	26		59	40226
2	27		60	40227
2	28		61	40228
2	29		62	40229
2	30		63	40230
2	31		64	40231
2	32		65	40232
2	33		66	40233

Appendix A – Parameter Tables

Group	Index	DCS 600 Parameter	PROFIBUS (add 4000 in FMS mode) Par. No	MODBUS / MODBUS+ Par. No
		<i>ACTUAL VALUES</i>		
3	1	APPL DUTY	67	40301
3	2		68	40302
3	3	SQUARE WAVE	69	40303
3	4	TEST REFERENCE	70	40304
3	5	DLOG EXT TRIGG	71	40305
3	6		72	40306
3	7	POS COUNT LOW	73	40307
3	8	POS COUNT HIGH	74	40308
3	9	CTRL STAT MA	75	40309
3	10	CTRL STAT SL	76	40310
3	11	CONV CURRENT REF	77	40311
3	12	CUR REF 3	78	40312
3	13	FIRING ANGLE	79	40313
3	14	FLUX REF FLD WEAK	80	40314
3	15	FLUX REF SUM	81	40315
3	16		82	40316
3	17	FIELD CUR REF M1	83	40317
3	18	FIELD CUR REF M2	84	40318
3	19	REL FIELD CUR M1	85	40319
3	20	FIELD CUR M1	86	40320
3	21	REL FIELD CUR M2	87	40321
3	22	FIELD CUR M2	88	40322
3	23	VOLT ACTUAL	89	40323
3	24	V REF 1	90	40324
3	25	V REF 2	91	40325
3	26	FLUX REF EMF	92	40326
3	27	CUR REF 1	93	40327
3	28	CUR REF 2	94	40328
3	29	AI V REF	95	40329
3	30	AI CUR REF	96	40330
3	31		97	40331
3	32		98	40332
3	33		99	40333
3	34		100	40334

Appendix A – Parameter Tables

Group	Index	ACP-600 Parameter	PROFIBUS	MODBUS /
			(add 4000 in FMS mode) Par. No	MODBUS+ Par. No
		<i>INFORMATION</i>		
4	1	SW PACKAGE VER	101	40401
4	2	DC VERSION	102	40402
4	3	APPLIC NAME	103	40403
4	4	CONV NOM VOLT	104	40404
4	5	CONV NOM CURR	105	40405
4	6	FEX 1 CODE	106	40406
4	7	FEX 2 CODE	107	40407
4	8	FEX 1 SW VERSION	108	40408
4	9	FEX 2 SW VERSION	109	40409
4	10	BOOT SW VERSION	110	40410
4	11	CONV SW VERSION	111	40411
4	12	APPLIC VERSION	112	40412
4	13	BASELIB VERSION	113	40413
4	14	CONVERTER TYPE	114	40414
4	15	QUADRANT TYPE	115	40415
4	16	CONV OVCUR LEVEL	116	40416
4	17	MAX BRIDGE TEMP	117	40417
4	18	FEX 1 COM STATUS	118	40418
4	19	FEX 2 COM STATUS	119	40419
4	20	FEX 1 COM ERRORS	120	40420
4	21	FEX 2 COM ERRORS	121	40421
4	22	MOTOR NOM TORQUE	122	40422
4	23	CON SW PRERELEASE	123	40423
4	24	AMC SW PRERELEASE	124	40424
4	25		125	40425

Group	Index	DCS 600 Parameter	PROFIBUS (add 4000 in FMS mode)	MODBUS / MODBUS+
		I/O SIGNALS	Par. No	Par. No
5	1	AN IN TACHO VALUE	126	40501
5	2	AN IN 1 VALUE	127	40502
5	3	AN IN 2 VALUE	128	40503
5	4	AN IN 3 VALUE	129	40504
5	5	AN IN 4 VALUE	130	40505
5	6	AN OUT 1 VALUE	131	40506
5	7	AN OUT 2 VALUE	132	40507
5	8	AN IN 5 VALUE	133	40508
5	9	AN IN 6 VALUE	134	40509
5	10		135	40510
5	11		136	40511
5	12		137	40512
5	13		138	40513
5	14		139	40514
5	15		140	40515
5	16		141	40516
5	17		142	40517
5	18		143	40518
5	19		144	40519
5	20		145	40520
5	21		146	40521
5	22		147	40522
5	23		148	40523
5	24		149	40524
5	25		150	40525

Appendix A – Parameter Tables

Group	Index	DCS 600 Parameter	PROFIBUS (add 4000 in FMS mode) Par. No	MODBUS / MODBUS+ Par. No
		<i>DRIVE LOGIC SIGNALS</i>		
6	1	CURR CONTROL STAT	151	40601
6	2	COMMISS STATUS	152	40602
6	3	MOTOR SELECT	153	40603
6	4	100 MS COUNTER	154	40604
6	5	CON2 BITS	155	40605
6	6	FIELD CON ALARM	156	40606
6	7		157	40607
6	8		158	40608
6	9		159	40609
6	10		160	40610
6	11		161	40611
6	12		162	40612
6	13		163	40613
6	14		164	40614
6	15		165	40615
6	16		166	40616
6	17		167	40617
6	18		168	40618
6	19		169	40619
6	20		170	40620
6	21		171	40621
6	22		172	40622
6	23		173	40623
6	24		174	40624
6	25		175	40625

Group	Index	DCS 600 Parameter	PROFIBUS (add 4000 in FMS mode) Par. No	MODBUS / MODBUS+ Par. No
		<i>CONTROL WORDS</i>		
7	1	MAIN CONTROL WORD	176	40701
7	2	AUX CONTROL WORD	177	40702
7	3	AUX CONTROL WRD 2	178	40703
7	4	USED MCW	179	40704
7	5		180	40705
7	6		181	40706
7	7		182	40707
7	8		183	40708
7	9		184	40709
7	10		185	40710
7	11		186	40711
7	12		187	40712
7	13		188	40713
7	14		189	40714
7	15		190	40715
7	16		191	40716
7	17		192	40717
7	18		193	40718
7	19		194	40719
7	20		195	40720
7	21		196	40721
7	22		197	40722
7	23		198	40723
7	24		199	40724
7	25		200	40725

Appendix A – Parameter Tables

Group	Index	DCS 600 Parameter	PROFIBUS	MODBUS /
			(add 4000 in FMS mode) Par. No	MODBUS+ Par. No
<i>STATUS & LIMIT WORDS</i>				
8	1	MAIN STATUS WORD	201	40801
8	2	AUX STATUS WORD	202	40802
8	3	LIMIT WORD 1	203	40803
8	4		204	40804
8	5	DI STATUS WORD	205	40805
8	6		206	40806
8	7		207	40807
8	8		208	40808
8	9		209	40809
8	10		210	40810
8	11		211	40811
8	12		212	40812
8	13		213	40813
8	14		214	40814
8	15		215	40815
8	16		216	40816
8	17		217	40817
8	18		218	40818
8	19		219	40819
8	20		220	40820
8	21		221	40821
8	22		222	40822
8	23		223	40823
8	24		224	40824
8	25		225	40825

Group	Index	DCS 600 Parameter	PROFIBUS (add 4000 in FMS mode) Par. No	MODBUS / MODBUS+ Par. No
		<i>FAULT & ALARM WORDS</i>		
9	1	FAULT WORD 1	226	40901
9	2	FAULT WORD 2	227	40902
9	3	SYSTEM FAULT WORD	228	40903
9	4	ALARM WORD 1	229	40904
9	5	ALARM WORD 2	230	40905
9	6	FAULT WORD 3	231	40906
9	7		232	40907
9	8		233	40908
9	9		234	40909
9	10		235	40910
9	11		236	40911
9	12		237	40912
9	13		238	40913
9	14		239	40914
9	15		240	40915
9	16		241	40916
9	17		242	40917
9	18		243	40918
9	19		244	40919
9	20		245	40920
9	21		246	40921
9	22		247	40922
9	23		248	40923
9	24		249	40924
9	25		250	40925

Appendix A – Parameter Tables

Group	Index	DCS 600 Parameter	PROFIBUS (add 4000 in FMS mode) Par. No	MODBUS / MODBUS+ Par. No
10	1		251	41001
10	2		252	41002
10	3		253	41003
10	4		254	41004
10	5		255	41005
10	6		256	41006
10	7		257	41007
10	8		258	41008
10	9		259	41009
10	10		260	41010
10	11		261	41011
10	12		262	41012
10	13		263	41013
10	14		264	41014
10	15		265	41015
10	16		266	41016
10	17		267	41017
10	18		268	41018
10	19		269	41019
10	20		270	41020
10	21		271	41021
10	22		272	41022
10	23		273	41023
10	24		274	41024
10	25		275	41025

Appendix A – Parameter Tables

Group	Index	DCS 600 Parameter	PROFIBUS (add 4000 in FMS mode) Par. No	MODBUS / MODBUS+ Par. No
11	1		276	41101
11	2		277	41102
11	3		278	41103
11	4		279	41104
11	5		280	41105
11	6		281	41106
11	7		282	41107
11	8		283	41108
11	9		284	41109
11	10		285	41110
11	11		286	41111
11	12		287	41112
11	13		288	41113
11	14		289	41114
11	15		290	41115
11	16		291	41116
11	17		292	41117
11	18		293	41118
11	19		294	41119
11	20		295	41120
11	21		296	41121
11	22		297	41122
11	23		298	41123
11	24		299	41124
11	25		300	41125

Appendix A – Parameter Tables

Group	Index	DCS 600 Parameter	PROFIBUS	MODBUS /
			(add 4000 in FMS mode) Par. No	MODBUS+ Par. No
		<i>DRIVE LOGIC I/O</i>		
12	1	DIG OUT 1 INVERT	301	41201
12	2	DIG OUT 1 INDEX	302	41202
12	3	DO1 BIT NUMBER	303	41203
12	4	DIG OUT 2 INVERT	304	41204
12	5	DIG OUT 2 INDEX	305	41205
12	6	DO2 BIT NUMBER	306	41206
12	7	DIG OUT 3 INVERT	307	41207
12	8	DIG OUT 3 INDEX	308	41208
12	9	DO3 BIT NUMBER	309	41209
12	10	DIG IN 1 INVERT	310	41210
12	11	DIG IN 2 INVERT	311	41211
12	12	DIG IN 3 INVERT	312	41212
12	13	ACK C FAN SEL	313	41213
12	14	ACK E FAN SEL	314	41214
12	15	ACK M CONT SEL	315	41215
12	16	EME STOP SEL	316	41216
12	17		317	41217
12	18		318	41218
12	19		319	41219
12	20		320	41220
12	21		321	41221
12	22		322	41222
12	23		323	41223
12	24		324	41224
12	25		325	41225

Group	Index	DCS 600 Parameter	PROFIBUS (add 4000 in FMS mode) Par. No	MODBUS / MODBUS+ Par. No
		<i>I/O SETTINGS 1</i>		
13	1	AN IN TACH HI VAL	326	41301
13	2	AN IN TACH LO VAL	327	41302
13	3	AN IN 1 HI VAL	328	41303
13	4	AN IN 1 LO VAL	329	41304
13	5	AN IN 2 HI VAL	330	41305
13	6	AN IN 2 LO VAL	331	41306
13	7	AN IN 3 HI VAL	332	41307
13	8	AN IN 3 LO VAL	333	41308
13	9	AN IN 4 HI VAL	334	41309
13	10	AN IN 4 LO VAL	335	41310
13	11	DIG IN 4 INVERT	336	41311
13	12	DIG IN 5 INVERT	337	41312
13	13	DIG IN 6 INVERT	338	41313
13	14	DIG IN 7 INVERT	339	41314
13	15	DIG IN 8 INVERT	340	41315
13	16	TORQUE CORR SRC	341	41316
13	17	AI SPEED SELECT	342	41317
13	18		343	41318
13	19		344	41319
13	20		345	41320
13	21		346	41321
13	22		347	41322
13	23		348	41323
13	24		349	41324
13	25		350	41325

Appendix A – Parameter Tables

Group	Index	DCS 600 Parameter	PROFIBUS (add 4000 in FMS mode) Par. No	MODBUS / MODBUS+ Par. No
		<i>I/O SETTINGS 2</i>		
14	1	AN OUT 1 NOM VOLT	351	41401
14	2	ANOUT 1 OFFS VOLT	352	41402
14	3	AN OUT 1 NOM VAL	353	41403
14	4	AN OUT 1 INDEX	354	41404
14	5	AN OUT 2 NOM VOLT	355	41405
14	6	ANOUT 2 OFFS VOLT	356	41406
14	7	AN OUT 2 NOM VAL	357	41407
14	8	AN OUT 2 INDEX	358	41408
14	9	DIG OUT 4 INVERT	359	41409
14	10	DIG OUT 4 INDEX	360	41410
14	11	DO4 BIT NUMBER	361	41411
14	12	DIG OUT 5 INVERT	362	41412
14	13	DIG OUT 5 INDEX	363	41413
14	14	DO5 BIT NUMBER	364	41414
14	15	DIG OUT 6 INVERT	365	41415
14	16	DIG OUT 6 INDEX	366	41416
14	17	DO6 BIT NUMBER	367	41417
14	18	DIG OUT 7 INVERT	368	41418
14	19	DIG OUT 7 INDEX	369	41419
14	20	DO7 BIT NUMBER	370	41420
14	21	DIG OUT 8 INVERT	371	41421
14	22	DIG OUT 8 INDEX	372	41422
14	23	DO8 BIT NUMBER	373	41423
14	24		374	41424
14	25		375	41425

Group	Index	DCS 600 Parameter	PROFIBUS	MODBUS /
			(add 4000 in FMS mode) Par. No	MODBUS+ Par. No
		<i>DRIVE LOGIC PARAM.</i>		
15	1	MAINCONT CON MODE	376	41501
15	2	DRIVE MODE	377	41502
15	3	THERM MODEL SEL	378	41503
15	4	PWRLOSS TRIP	379	41504
15	5	USED FEX TYPE	380	41505
15	6	FIELD CONTROL MODE	381	41506
15	7	EXT FAN ACK MODE	382	41507
15	8	STALL PROT SELECT	383	41508
15	9	FAULT BRAKE SEL	384	41509
15	10	FIELD HEAT SEL	385	41510
15	11	FLD 1 HEAT SEL	386	41511
15	12	FLD 2 HEAT SEL	387	41512
15	13	DI ELEC DISCONN	388	41513
15	14	OFF 1 SELECT	389	41514
15	15	OFF 2 SELECT	390	41515
15	16	OPER MODE SELECT	391	41516
15	17	MAIN SUPP OFF DEL	392	41517
15	18	DC BREAK ACK SEL	393	41518
15	19	DC BREAK OFF DEL	394	41519
15	20	DYN BRAKE ACK SEL	395	41520
15	21	FEXC NODE NUMBER	396	41521
15	22	COMMAND SEL	397	41522
15	23	EXT FAULT SEL	398	41523
15	24	EXT ALARM SEL	399	41524
15	25		400	41525

Appendix A – Parameter Tables

Group	Index	DCS 600 Parameter	PROFIBUS (add 4000 in FMS mode)	MODBUS / MODBUS+
		SYSTEM CONTROL INPUTS	Par. No	Par. No
16	1		401	41601
16	2	PARAMETER LOCK	402	41602
16	3	PASSCODE	403	41603
16	4	LOCAL LOCK	404	41604
16	5		405	41605
16	6		406	41606
16	7		407	41607
16	8		408	41608
16	9		409	41609
16	10		410	41610
16	11		411	41611
16	12		412	41612
16	13		413	41613
16	14		414	41614
16	15		415	41615
16	16		416	41616
16	17		417	41617
16	18		418	41618
16	19		419	41619
16	20		420	41620
16	21		421	41621
16	22		422	41622
16	23		423	41623
16	24		424	41624
16	25		425	41625

Appendix A – Parameter Tables

Group	Index	DCS 600 Parameter	PROFIBUS (add 4000 in FMS mode) Par. No	MODBUS / MODBUS+ Par. No
		<i>TEST SIGNAL GENERATOR</i>		
17	1	POT 1	426	41701
17	2	POT 2	427	41702
17	3	SQR WAVE PERIOD	428	41703
17	4	TEST REF SELECT	429	41704
17	5	TEST RELEASE	430	41705
17	6		431	41706
17	7		432	41707
17	8		433	41708
17	9		434	41709
17	10		435	41710
17	11		436	41711
17	12		437	41712
17	13		438	41713
17	14		439	41714
17	15		440	41715
17	16		441	41716
17	17		442	41717
17	18		443	41718
17	19		444	41719
17	20		445	41720
17	21		446	41721
17	22		447	41722
17	23		448	41723
17	24		449	41724
17	25		450	41725

Appendix A – Parameter Tables

Group	Index	DCS 600 Parameter	PROFIBUS (add 4000 in FMS mode)	MODBUS / MODBUS+
		<i>LED PANEL CTRL</i>	Par. No	Par. No
18	1	LED PANEL OUTPUT	451	41801
18	2	SCALE PANEL	452	41802
18	3		453	41803
18	4		454	41804
18	5		455	41805
18	6		456	41806
18	7		457	41807
18	8		458	41808
18	9		459	41809
18	10		460	41810
18	11		461	41811
18	12		462	41812
18	13		463	41813
18	14		464	41814
18	15		465	41815
18	16		466	41816
18	17		467	41817
18	18		468	41818
18	19		469	41819
18	20		470	41820
18	21		471	41821
18	22		472	41822
18	23		473	41823
18	24		474	41824
18	25		475	41825

Appendix A – Parameter Tables

Group	Index	DCS 600 Parameter	PROFIBUS (add 4000 in FMS mode)	MODBUS / MODBUS+
		<i>DATA STORAGE</i>	Par. No	Par. No
19	1	DATA 1	476	41901
19	2	DATA 2	477	41902
19	3	DATA 3	478	41903
19	4	DATA 4	479	41904
19	5	DATA 5	480	41905
19	6	DATA 6	481	41906
19	7	DATA 7	482	41907
19	8	DATA 8	483	41908
19	9	DATA 9	484	41909
19	10	DATA 10	485	41910
19	11	DATA 11	486	41911
19	12	DATA 12	487	41912
19	13		488	41913
19	14		489	41914
19	15		490	41915
19	16		491	41916
19	17		492	41917
19	18		493	41918
19	19		494	41919
19	20		495	41920
19	21		496	41921
19	22		497	41922
19	23		498	41923
19	24		499	41924
19	25		500	41925

Appendix A – Parameter Tables

Group	Index	DCS 600 Parameter	PROFIBUS (add 4000 in FMS mode) Par. No	MODBUS / MODBUS+ Par. No
		<i>LIMITS</i>		
20	1	MINIMUM SPEED	501	42001
20	2	MAXIMUM SPEED	502	42002
20	3	ZERO SPEED LIMIT	503	42003
20	4		504	42004
20	5	MAXIMUM TORQUE	505	42005
20	6	MINIMUM TORQUE	506	42006
20	7	SPC TORQMAX	507	42007
20	8	SPC TORQMIN	508	42008
20	9	TREF TORQMAX	509	42009
20	10	TREF TORQMIN	510	42010
20	11	OVERSPEED LIMIT	511	42011
20	12	CUR LIM MOT BRIDGE	512	42012
20	13	CUR LIM GEN BRIDGE	513	42013
20	14	MAX FIRING ANGLE	514	42014
20	15	MIN FIRING ANGLE	515	42015
20	16	FIELD1 OVRCUR LEV	516	42016
20	17	FIELD2 OVRCUR LEV	517	42017
20	18		518	42018
20	19		519	42019
20	20		520	42020
20	21		521	42021
20	22		522	42022
20	23		523	42023
20	24		524	42024
20	25		525	42025

Group	Index	DCS 600 Parameter	PROFIBUS (add 4000 in FMS mode)	MODBUS / MODBUS+
		<i>START/STOP FUNCTIONS</i>	Par. No	Par. No
21	1		526	42101
21	2		527	42102
21	3	LOCAL STOP MODE	528	42103
21	4	EME STOP MODE	529	42104
21	5	EMSTOP DER MIN L	530	42105
21	6	EMSTOP DER MAX L	531	42106
21	7	DECEL MON DELAY	532	42107
21	8		533	42108
21	9		534	42109
21	10		535	42110
21	11		536	42111
21	12		537	42112
21	13		538	42113
21	14		539	42114
21	15		540	42115
21	16		541	42116
21	17		542	42117
21	18		543	42118
21	19		544	42119
21	20		545	42120
21	21		546	42121
21	22		547	42122
21	23		548	42123
21	24		549	42124
21	25		550	42125

Appendix A – Parameter Tables

Group	Index	DCS 600 Parameter	PROFIBUS (add 4000 in FMS mode)	MODBUS / MODBUS+
		<i>SPEED RAMP FUNCTIONS</i>	Par. No	Par. No
22	1	ACCELER TIME	551	42201
22	2	DECELER TIME	552	42202
22	3	RAMPTIME SCALE	553	42203
22	4	EME STOP RAMP	554	42204
22	5	SHAPE TIME	555	42205
22	6	VARIABLE SLOPE	556	42206
22	7	VAR SLOPE RATE	557	42207
22	8	BAL RAMP REF	558	42208
22	9		559	42209
22	10		560	42210
22	11		561	42211
22	12		562	42212
22	13		563	42213
22	14		564	42214
22	15		565	42215
22	16		566	42216
22	17		567	42217
22	18		568	42218
22	19		569	42219
22	20		570	42220
22	21		571	42221
22	22		572	42222
22	23		573	42223
22	24		574	42224
22	25		575	42225

Group	Index	DCS 600 Parameter	PROFIBUS	MODBUS /
			(add 4000 in FMS mode) Par. No	MODBUS+ Par. No
		<i>SPEED REFERENCE</i>		
23	1	SPEED REF	576	42301
23	2	CONST SPEED 1	577	42302
23	3	CONST SPEED 2	578	42303
23	4	SPEED CORRECTION	579	42304
23	5	SPEED SHARE	580	42305
23	6	SPEED ERROR FILT	581	42306
23	7	WINDOW INTG ON	582	42307
23	8	WINDOW WIDTH POS	583	42308
23	9	WINDOW WIDTH NEG	584	42309
23	10	SPEED STEP	585	42310
23	11	SPEED ERROR FILT2	586	42311
23	12	RAMPED INCH REF	587	42312
23	13	SPEED CORR RAMP	588	42313
23	14		589	42314
23	15		590	42315
23	16		591	42316
23	17		592	42317
23	18		593	42318
23	19		594	42319
23	20		595	42320
23	21		596	42321
23	22		597	42322
23	23		598	42323
23	24		599	42324
23	25		600	42325

Appendix A – Parameter Tables

Group	Index	DCS 600 Parameter	PROFIBUS (add 4000 in FMS mode) Par. No	MODBUS / MODBUS+ Par. No
		<i>SPEED CONTROL</i>		
24	1		601	42401
24	2	DROOP RATE	602	42402
24	3	KPS	603	42403
24	4	KPS MIN	604	42404
24	5	KPS WEAKPOINT	605	42405
24	6	KPS WP FILT TIME	606	42406
24	7		607	42407
24	8		608	42408
24	9	TIS	609	42409
24	10	TIS INIT VALUE	610	42410
24	11	BAL REF	611	42411
24	12	DERIVATION TIME	612	42412
24	13	DERIVATION FILT TIME	613	42413
24	14	ACC COMP DER TIME	614	42414
24	15	ACC COMPFILT TIME	615	42415
24	16		616	42416
24	17	KPS TIS MIN SPEED	617	42417
24	18	KPS TIS MAX SPEED	618	42418
24	19	KPS VAL MIN SPEED	619	42419
24	20	TIS VAL MIN SPEED	620	42420
24	21		621	42421
24	22	CENT FREQ	622	42422
24	23	BAND WIDTH	623	42423
24	24	BAND FILT GAIN	624	42424
24	25	SPEED ERROR SCALE	625	42425

Appendix A – Parameter Tables

Group	Index	DCS 600 Parameter	PROFIBUS (add 4000 in FMS mode) Par. No	MODBUS / MODBUS+ Par. No
		<i>TORQUE REFERENCE</i>		
25	1	TORQUE REF A	626	42501
25	2	TORQUE REF A FTC	627	42502
25	3	LOAD SHARE	628	42503
25	4	TORQUE REF B	629	42504
25	5	TORQUE RAMP UP	630	42505
25	6	TORQUE RAMP DOWN	631	42506
25	7		632	42507
25	8		633	42508
25	9		634	42509
25	10		635	42510
25	11		636	42511
25	12		637	42512
25	13		638	42513
25	14		639	42514
25	15		640	42515
25	16		641	42516
25	17		642	42517
25	18		643	42518
25	19		644	42519
25	20		645	42520
25	21		646	42521
25	22		647	42522
25	23		648	42523
25	24		649	42524
25	25		650	42525

Appendix A – Parameter Tables

Group	Index	DCS 600 Parameter	PROFIBUS	MODBUS /
			(add 4000 in FMS mode) Par. No	MODBUS+ Par. No
		<i>TORQUE REF. HANDLING</i>		
26	1	TORQUE SELECTOR	651	42601
26	2	LOAD COMPENSATION	652	42602
26	3	TORQUE STEP	653	42603
26	4		654	42604
26	5		655	42605
26	6		656	42606
26	7		657	42607
26	8	GEAR START TORQUE	658	42608
26	9	GEAR TORQUE TIME	659	42609
26	10	GEAR TORQUE RAMP	660	42610
26	11		661	42611
26	12		662	42612
26	13		663	42613
26	14		664	42614
26	15		665	42615
26	16		666	42616
26	17		667	42617
26	18		668	42618
26	19		669	42619
26	20		670	42620
26	21		671	42621
26	22		672	42622
26	23		673	42623
26	24		674	42624
26	25		675	42625

Appendix A – Parameter Tables

Group	Index	DCS 600 Parameter	PROFIBUS (add 4000 in FMS mode) Par. No	MODBUS / MODBUS+ Par. No
27	1		676	42701
27	2		677	42702
27	3		678	42703
27	4		679	42704
27	5		680	42705
27	6		681	42706
27	7		682	42707
27	8		683	42708
27	9		684	42709
27	10		685	42710
27	11		686	42711
27	12		687	42712
27	13		688	42713
27	14		689	42714
27	15		690	42715
27	16		691	42716
27	17		692	42717
27	18		693	42718
27	19		694	42719
27	20		695	42720
27	21		696	42721
27	22		697	42722
27	23		698	42723
27	24		699	42724
27	25		700	42725

Appendix A – Parameter Tables

Group	Index	DCS 600 Parameter	PROFIBUS (add 4000 in FMS mode)	MODBUS / MODBUS+
		<i>MOTOR PROTECTION</i>	Par. No	Par. No
28	1	TEMP MODEL 1 TC	701	42801
28	2	TEMP MODEL 1 CUR	702	42802
28	3	ALARM LIM LOAD I1	703	42803
28	4	TRIP LIM LOAD I1	704	42804
28	5	TEMP MODEL 2 TC	705	42805
28	6	TEMP MODEL 2 CUR	706	42806
28	7	ALARM LIM LOAD I2	707	42807
28	8	TRIP LIM LOAD I2	708	42808
28	9	MOT 1 TEMP SEL	709	42809
28	10	ALARM LIM M1 TEMP	710	42810
28	11	FAULT LIM M1 TEMP	711	42811
28	12	MOT 2 TEMP SEL	712	42812
28	13	ALARM LIM M2 TEMP	713	42813
28	14	FAULT LIM M2 TEMP	714	42814
28	15	MAX STALL TIME	715	42815
28	16	MAX STALL SPEED	716	42816
28	17	MAX STALL TORQUE	717	42817
28	18	MOT1 KLIXONSEL	718	42818
28	19	EARTH CUR FLT SEL	719	42819
28	20	EARTH CUR FLT LIM	720	42820
28	21	EARTH CUR FLT DEL	721	42821
28	22	ARMAT OVRVOLT LEV	722	42822
28	23	SPEED MEAS MON LEV	723	42823
28	24	SPEED EMF MON LEV	724	42824
28	25	MOT2 KLIXONSEL	725	42825

Appendix A – Parameter Tables

Group	Index	DCS 600 Parameter	PROFIBUS (add 4000 in FMS mode) Par. No	MODBUS / MODBUS+ Par. No
29	1		726	42901
29	2		727	42902
29	3		728	42903
29	4		729	42904
29	5		730	42905
29	6		731	42906
29	7		732	42907
29	8		733	42908
29	9		734	42909
29	10		735	42910
29	11		736	42911
29	12		737	42912
29	13		738	42913
29	14		739	42914
29	15		740	42915
29	16		741	42916
29	17		742	42917
29	18		743	42918
29	19		744	42919
29	20		745	42920
29	21		746	42921
29	22		747	42922
29	23		748	42923
29	24		749	42924
29	25		750	42925

Appendix A – Parameter Tables

Group	Index	DCS 600 Parameter	PROFIBUS (add 4000 in FMS mode) Par. No	MODBUS / MODBUS+ Par. No
30	1		751	43001
30	2		752	43002
30	3		753	43003
30	4		754	43004
30	5		755	43005
30	6		756	43006
30	7		757	43007
30	8		758	43008
30	9		759	43009
30	10		760	43010
30	11		761	43011
30	12		762	43012
30	13		763	43013
30	14		764	43014
30	15		765	43015
30	16		766	43016
30	17		767	43017
30	18		768	43018
30	19		769	43019
30	20		770	43020
30	21		771	43021
30	22		772	43022
30	23		773	43023
30	24		774	43024
30	25		775	43025

Group	Index	DCS 600 Parameter	PROFIBUS (add 4000 in FMS mode) Par. No	MODBUS / MODBUS+ Par. No
		<i>not used</i>	776	
		 899	

Group	Index	DCS 600 Parameter	PROFIBUS (add 4000 in FMS mode) Par. No	MODBUS / MODBUS+ Par. No
		<i>PROFILE PARAMETER</i>	900	
		 999	

Group	Index	DCS 600 Parameter	PROFIBUS (add 4000 in FMS mode)	MODBUS / MODBUS+
		<i>UNDERVOLT. MONITORING</i>	Par. No	Par. No
40	1	U NET MIN 1	1001	44001
40	2	U NET MIN 2	1002	44002
40	3	POWER DOWN TIME	1003	44003
40	4		1004	44004
40	5		1005	44005
40	6		1006	44006
40	7		1007	44007
40	8		1008	44008
40	9		1009	44009
40	10		1010	44010
40	11		1011	44011
40	12		1012	44012
40	13		1013	44013
40	14		1014	44014
40	15		1015	44015
40	16		1016	44016
40	17		1017	44017
40	18		1018	44018
40	19		1019	44019
40	20		1020	44020
40	21		1021	44021
40	22		1022	44022
40	23		1023	44023
40	24		1024	44024
40	25		1025	44025

Appendix A – Parameter Tables

Group	Index	DCS 600 Parameter	PROFIBUS (add 4000 in FMS mode)	MODBUS / MODBUS+
		<i>MOTOR NOMINAL VALUES</i>	Par. No	Par. No
41	1		1026	44101
41	2		1027	44102
41	3	MOT 1 NOM FLD CUR	1028	44103
41	4	MAX CUR LIM SPEED	1029	44104
41	5	ARM CUR LIM SPD1	1030	44105
41	6	ARM CUR LIM SPD2	1031	44106
41	7	ARM CUR LIM SPD3	1032	44107
41	8	ARM CUR LIM SPD4	1033	44108
41	9	ARM CUR LIM SPD5	1034	44109
41	10	CUR REF SLOPE	1035	44110
41	11	ARM L	1036	44111
41	12	ARM R	1037	44112
41	13		1038	44113
41	14	FLD CUR @40% FLUX	1039	44114
41	15	FLD CUR @70% FLUX	1040	44115
41	16	FLD CUR @90% FLUX	1041	44116
41	17	MOT 2 NOM FLD CUR	1042	44117
41	18		1043	44118
41	19	INT EMF REF	1044	44119
41	20		1045	44120
41	21		1046	44121
41	22		1047	44122
41	23		1048	44123
41	24		1049	44124
41	25		1050	44125

Group	Index	DCS 600 Parameter	PROFIBUS (add 4000 in FMS mode)	MODBUS / MODBUS+
		MEASUREMENT SETTINGS	Par. No	Par. No
42	1	MAINS PHASE ORDER	1051	44201
42	2		1052	44202
42	3	XTRA COMMUT RESRV	1053	44203
42	4		1054	44204
42	5	ARM OVCUR LEVEL	1055	44205
42	6	NOM SUPPLY VOLT	1056	44206
42	7	S CONV NOM CURR	1057	44207
42	8	S CONV NOM VOLT	1058	44208
42	9	S MAX BRIDGE TEMP	1059	44209
42	10	S CONVERTER TYPE	1060	44210
42	11	S QUADRANT TYPE	1061	44211
42	12	TORQUE ACT FTC	1062	44212
42	13		1063	44213
42	14		1064	44214
42	15		1065	44215
42	16		1066	44216
42	17		1067	44217
42	18		1068	44218
42	19		1069	44219
42	20		1070	44220
42	21		1071	44221
42	22		1072	44222
42	23		1073	44223
42	24		1074	44224
42	25		1075	44225

Appendix A – Parameter Tables

Group	Index	DCS 600 Parameter	PROFIBUS (add 4000 in FMS mode)	MODBUS / MODBUS+
		<i>ARMATURE CURR: CONT:</i>	Par. No	Par. No
43	1	CONTROL TYPE SEL	1076	44301
43	2	ARM CUR PI P-GAIN	1077	44302
43	3	ARM CUR PI I-GAIN	1078	44303
43	4	ARM CUR IP P-GAIN	1079	44304
43	5	ARM CUR IP I-GAIN	1080	44305
43	6	DISCONT CUR LIMIT	1081	44306
43	7	PLL DEV LIM	1082	44307
43	8	KP PLL	1083	44308
43	9	MAINS COMPENS TC	1084	44309
43	10	CUR RIPPLE MONIT	1085	44310
43	11	CUR RIPPLE LIM 1	1086	44311
43	12	CUR RIPPLE LIM 2	1087	44312
43	13	REV DELAY	1088	44313
43	14	ZERO CUR DETECT	1089	44314
43	15	REF SEL	1090	44315
43	16	SEL MAX MIN	1091	44316
43	17	INT CUR REF	1092	44317
43	18	AI CUR REF TC	1093	44318
43	19	LOCAL CUR REF	1094	44319
43	20	FLUX COR	1095	44320
43	21	FLUX STEP	1096	44321
43	22	OVERVOLT ALARM L	1097	44322
43	23	OVERVOLT ALARM DEL	1098	44323
43	24	MIN CUR ALARM L	1099	44324
43	25	MIN CUR ALARM DEL	1100	44325

Group	Index	DCS 600 Parameter	PROFIBUS (add 4000 in FMS mode) Par. No	MODBUS / MODBUS+ Par. No
		<i>FIELD EXCIT. PAR.</i>		
44	1	FLD ACT CUR 1 FTC	1101	44401
44	2	P-GAIN FEX 1	1102	44402
44	3	INTEG TIME FEX 1	1103	44403
44	4	FREEWHEEL LV FEX1	1104	44404
44	5	NEG LIM FEX 1 CON	1105	44405
44	6	POS LIM FEX 1 CON	1106	44406
44	7	FLD ACT CUR 2 FTC	1107	44407
44	8	P-GAIN FEX 2	1108	44408
44	9	INTEG TIME FEX 2	1109	44409
44	10	FREEWHEEL LV FEX2	1110	44410
44	11	NEG LIM FEX 2 CON	1111	44411
44	12	POS LIM FEX 2 CON	1112	44412
44	13	FIELD 1 REF RED	1113	44413
44	14	FIELD 1 REF MIN	1114	44414
44	15	FIELD 1 MIN DELAY	1115	44415
44	16	FLUX REVERS DELAY	1116	44416
44	17	FIELD 1 MIN TRIP	1117	44417
44	18	FIELD1 REVRS HYST	1118	44418
44	19	FIELD 1 REF HYST	1119	44419
44	20	FIELD 1 REF GAIN	1120	44420
44	21	FIELD 2 REF RED	1121	44421
44	22	FIELD 2 MIN TRIP	1122	44422
44	23	FIELD 2 REF	1123	44423
44	24	MAX FEX COMM FLTS	1124	44424
44	25	MAX FEX FAULTS	1125	44425

Appendix A – Parameter Tables

Group	Index	DCS 600 Parameter	PROFIBUS (add 4000 in FMS mode)	MODBUS / MODBUS+
		<i>FIELD EXCIT. SIGNALS</i>	Par. No	Par. No
45	1	FLUX REF	1126	44501
45	2	FLUX/EMF REF SEL	1127	44502
45	3	EMF REF	1128	44503
45	4	FORCE FIELD1 DIR	1129	44504
45	5	FIELD DELAY ACT	1130	44505
45	6	DEL MIN FLD TRIP	1131	44506
45	7	MAXIMUM FLUX	1132	44507
45	8		1133	44508
45	9		1134	44509
45	10		1135	44510
45	11		1136	44511
45	12		1137	44512
45	13		1138	44513
45	14		1139	44514
45	15		1140	44515
45	16		1141	44516
45	17		1142	44517
45	18		1143	44518
45	19		1144	44519
45	20		1145	44520
45	21		1146	44521
45	22		1147	44522
45	23		1148	44523
45	24		1149	44524
45	25		1150	44525

Group	Index	DCS 600 Parameter	PROFIBUS (add 4000 in FMS mode) Par. No	MODBUS / MODBUS+ Par. No
		<i>EMF CONTROL</i>		
46	1	POS LIM EMF CON	1151	44601
46	2	NEG LIM EMF CON	1152	44602
46	3	EMF CON KP	1153	44603
46	4	EMF CON KI	1154	44604
46	5	EMF CON BLOCK LEV	1155	44605
46	6	EMF ACT FILT TC	1156	44606
46	7	FLUX REF SEL	1157	44607
46	8	EMF REF SEL	1158	44608
46	9	EMF SPEED FILT TC	1159	44609
46	10	V COR	1160	44610
46	11	V STEP	1161	44611
46	12	V REF SLOPE	1162	44612
46	13	V LIM P	1163	44613
46	14	V LIM N	1164	44614
46	15	AI V REF TC	1165	44615
46	16	V ACT CALC SEL	1166	44616
46	17		1167	44617
46	18		1168	44618
46	19	I ACT SEL	1169	44619
46	20	V ACT SEL	1170	44620
46	21	V I SEL 1	1171	44621
46	22	V I SEL 2	1172	44622
46	23		1173	44623
46	24		1174	44624
46	25		1175	44625

Appendix A – Parameter Tables

Group	Index	DCS 600 Parameter	PROFIBUS (add 4000 in FMS mode) Par. No	MODBUS / MODBUS+ Par. No
		<i>12-PULSE OPERATION</i>		
47	1	SEQUENTIAL MODE	1176	44701
47	2	ADJ IDC	1177	44702
47	3	ADJ UAC	1178	44703
47	4	DIFF CUR LIMIT	1179	44704
47	5	DIFF CUR DELAY	1180	44705
47	6		1181	44706
47	7	REV GAP	1182	44707
47	8	REV FAULT DELAY	1183	44708
47	9	COMM TIMEOUT 12P	1184	44709
47	10	ADJ UDC	1185	44710
47	11	OFFSET UDC	1186	44711
47	12		1187	44712
47	13		1188	44713
47	14		1189	44714
47	15		1190	44715
47	16		1191	44716
47	17		1192	44717
47	18		1193	44718
47	19		1194	44719
47	20		1195	44720
47	21		1196	44721
47	22		1197	44722
47	23		1198	44723
47	24		1199	44724
47	25		1200	44725

Appendix A – Parameter Tables

Group	Index	DCS 600 Parameter	PROFIBUS (add 4000 in FMS mode) Par. No	MODBUS / MODBUS+ Par. No
48	1		1201	44801
48	2		1202	44802
48	3		1203	44803
48	4		1204	44804
48	5		1205	44805
48	6		1206	44806
48	7		1207	44807
48	8		1208	44808
48	9		1209	44809
48	10		1210	44810
48	11		1211	44811
48	12		1212	44812
48	13		1213	44813
48	14		1214	44814
48	15		1215	44815
48	16		1216	44816
48	17		1217	44817
48	18		1218	44818
48	19		1219	44819
48	20		1220	44820
48	21		1221	44821
48	22		1222	44822
48	23		1223	44823
48	24		1224	44824
48	25		1225	44825

Appendix A – Parameter Tables

Group	Index	DCS 600 Parameter	PROFIBUS (add 4000 in FMS mode) Par. No	MODBUS / MODBUS+ Par. No
49	1		1226	44901
49	2		1227	44902
49	3		1228	44903
49	4		1229	44904
49	5		1230	44905
49	6		1231	44906
49	7		1232	44907
49	8		1233	44908
49	9		1234	44909
49	10		1235	44910
49	11		1236	44911
49	12		1237	44912
49	13		1238	44913
49	14		1239	44914
49	15		1240	44915
49	16		1241	44916
49	17		1242	44917
49	18		1243	44918
49	19		1244	44919
49	20		1245	44920
49	21		1246	44921
49	22		1247	44922
49	23		1248	44923
49	24		1249	44924
49	25		1250	44925

Group	Index	DCS 600 Parameter	PROFIBUS (add 4000 in FMS mode) Par. No	MODBUS / MODBUS+ Par. No
		<i>SPEED MEASUREMENT</i>		
50	1	SPEED SCALING	1251	45001
50	2	SPEED MEAS MODE	1252	45002
50	3	SPEED FB SEL	1253	45003
50	4	ENCODER PULSE NR	1254	45004
50	5		1255	45005
50	6	SP ACT FILT TIME	1256	45006
50	7	POS COUNT MODE	1257	45007
50	8	POS COUNT INIT LO	1258	45008
50	9	POS COUNT INIT HI	1259	45009
50	10	ABOVE SPEED LIMIT	1260	45010
50	11	SPEED SCALING PB	1261	45011
50	12	SYNC INPUT SELECT	1262	45012
50	13	SP ACT FILT FTC	1263	45013
50	14		1264	45014
50	15		1265	45015
50	16		1266	45016
50	17		1267	45017
50	18		1268	45018
50	19		1269	45019
50	20		1270	45020
50	21		1271	45021
50	22		1272	45022
50	23		1273	45023
50	24		1274	45024
50	25		1275	45025

Appendix A – Parameter Tables

Group	Index	DCS 600 Parameter	PROFIBUS (add 4000 in FMS mode)	MODBUS / MODBUS+
		<i>COMMUNICATION MODULE</i>	Par. No	Par. No
51	1	MODULE TYPE	1276	45101
51	2	STATION NUMBER	1277	45102
51	3	FIELD BUS PAR3	1278	45103
51	4	FIELD BUS PAR4	1279	45104
51	5	FIELD BUS PAR5	1280	45105
51	6	FIELD BUS PAR6	1281	45106
51	7	FIELD BUS PAR7	1282	45107
51	8	FIELD BUS PAR8	1283	45108
51	9	FIELD BUS PAR9	1284	45109
51	10	FIELD BUS PAR10	1285	45110
51	11	FIELD BUS PAR11	1286	45111
51	12	FIELD BUS PAR12	1287	45112
51	13	FIELD BUS PAR13	1288	45113
51	14	FIELD BUS PAR14	1289	45114
51	15	FIELD BUS PARX	1290	45115
51	16		1291	45116
51	17		1292	45117
51	18		1293	45118
51	19		1294	45119
51	20		1295	45120
51	21		1296	45121
51	22		1297	45122
51	23		1298	45123
51	24		1299	45124
51	25		1300	45125

Group	Index	DCS 600 Parameter	PROFIBUS (add 4000 in FMS mode) Par. No	MODBUS / MODBUS+ Par. No
52	1		1301	45201
52	2		1302	45202
52	3		1303	45203
52	4		1304	45204
52	5		1305	45205
52	6		1306	45206
52	7		1307	45207
52	8		1308	45208
52	9		1309	45209
52	10		1310	45210
52	11		1311	45211
52	12		1312	45212
52	13		1313	45213
52	14		1314	45214
52	15		1315	45215
52	16		1316	45216
52	17		1317	45217
52	18		1318	45218
52	19		1319	45219
52	20		1320	45220
52	21		1321	45221
52	22		1322	45222
52	23		1323	45223
52	24		1324	45224
52	25		1325	45225

Appendix A – Parameter Tables

Group	Index	DCS 600 Parameter	PROFIBUS (add 4000 in FMS mode) Par. No	MODBUS / MODBUS+ Par. No
53	1		1326	45301
53	2		1327	45302
53	3		1328	45303
53	4		1329	45304
53	5		1330	45305
53	6		1331	45306
53	7		1332	45307
53	8		1333	45308
53	9		1334	45309
53	10		1335	45310
53	11		1336	45311
53	12		1337	45312
53	13		1338	45313
53	14		1339	45314
53	15		1340	45315
53	16		1341	45316
53	17		1342	45317
53	18		1343	45318
53	19		1344	45319
53	20		1345	45320
53	21		1346	45321
53	22		1347	45322
53	23		1348	45323
53	24		1349	45324
53	25		1350	45325

Appendix A – Parameter Tables

Group	Index	DCS 600 Parameter	PROFIBUS (add 4000 in FMS mode) Par. No	MODBUS / MODBUS+ Par. No
54	1		1351	45401
54	2		1352	45402
54	3		1353	45403
54	4		1354	45404
54	5		1355	45405
54	6		1356	45406
54	7		1357	45407
54	8		1358	45408
54	9		1359	45409
54	10		1360	45410
54	11		1361	45411
54	12		1362	45412
54	13		1363	45413
54	14		1364	45414
54	15		1365	45415
54	16		1366	45416
54	17		1367	45417
54	18		1368	45418
54	19		1369	45419
54	20		1370	45420
54	21		1371	45421
54	22		1372	45422
54	23		1373	45423
54	24		1374	45424
54	25		1375	45425

Appendix A – Parameter Tables

Group	Index	DCS 600 Parameter	PROFIBUS (add 4000 in FMS mode) Par. No	MODBUS / MODBUS+ Par. No
55	1		1376	45501
55	2		1377	45502
55	3		1378	45503
55	4		1379	45504
55	5		1380	45505
55	6		1381	45506
55	7		1382	45507
55	8		1383	45508
55	9		1384	45509
55	10		1385	45510
55	11		1386	45511
55	12		1387	45512
55	13		1388	45513
55	14		1389	45514
55	15		1390	45515
55	16		1391	45516
55	17		1392	45517
55	18		1393	45518
55	19		1394	45519
55	20		1395	45520
55	21		1396	45521
55	22		1397	45522
55	23		1398	45523
55	24		1399	45524
55	25		1400	45525

Appendix A – Parameter Tables

Group	Index	DCS 600 Parameter	PROFIBUS (add 4000 in FMS mode) Par. No	MODBUS / MODBUS+ Par. No
60	1		1401	46001
60	2		1402	46002
60	3		1403	46003
60	4		1404	46004
60	5		1405	46005
60	6		1406	46006
60	7		1407	46007
60	8		1408	46008
60	9		1409	46009
60	10		1410	46010
60	11		1411	46011
60	12		1412	46012
60	13		1413	46013
60	14		1414	46014
60	15		1415	46015
60	16		1416	46016
60	17		1417	46017
60	18		1418	46018
60	19		1419	46019
60	20		1420	46020
60	21		1421	46021
60	22		1422	46022
60	23		1423	46023
60	24		1424	46024
60	25		1425	46025

Appendix A – Parameter Tables

Group	Index	DCS 600 Parameter	PROFIBUS (add 4000 in FMS mode) Par. No	MODBUS / MODBUS+ Par. No
61	1		1426	46101
61	2		1427	46102
61	3		1428	46103
61	4		1429	46104
61	5		1430	46105
61	6		1431	46106
61	7		1432	46107
61	8		1433	46108
61	9		1434	46109
61	10		1435	46110
61	11		1436	46111
61	12		1437	46112
61	13		1438	46113
61	14		1439	46114
61	15		1440	46115
61	16		1441	46116
61	17		1442	46117
61	18		1443	46118
61	19		1444	46119
61	20		1445	46120
61	21		1446	46121
61	22		1447	46122
61	23		1448	46123
61	24		1449	46124
61	25		1450	46125

Appendix A – Parameter Tables

Group	Index	DCS 600 Parameter	PROFIBUS (add 4000 in FMS mode) Par. No	MODBUS / MODBUS+ Par. No
62	1		1451	46201
62	2		1452	46202
62	3		1453	46203
62	4		1454	46204
62	5		1455	46205
62	6		1456	46206
62	7		1457	46207
62	8		1458	46208
62	9		1459	46209
62	10		1460	46210
62	11		1461	46211
62	12		1462	46212
62	13		1463	46213
62	14		1464	46214
62	15		1465	46215
62	16		1466	46216
62	17		1467	46217
62	18		1468	46218
62	19		1469	46219
62	20		1470	46220
62	21		1471	46221
62	22		1472	46222
62	23		1473	46223
62	24		1474	46224
62	25		1475	46225

Appendix A – Parameter Tables

Group	Index	DCS 600 Parameter	PROFIBUS (add 4000 in FMS mode) Par. No	MODBUS / MODBUS+ Par. No
63	1		1476	46301
63	2		1477	46302
63	3		1478	46303
63	4		1479	46304
63	5		1480	46305
63	6		1481	46306
63	7		1482	46307
63	8		1483	46308
63	9		1484	46309
63	10		1485	46310
63	11		1486	46311
63	12		1487	46312
63	13		1488	46313
63	14		1489	46314
63	15		1490	46315
63	16		1491	46316
63	17		1492	46317
63	18		1493	46318
63	19		1494	46319
63	20		1495	46320
63	21		1496	46321
63	22		1497	46322
63	23		1498	46323
63	24		1499	46324
63	25		1500	46325

Appendix A – Parameter Tables

Group	Index	DCS 600 Parameter	PROFIBUS (add 4000 in FMS mode) Par. No	MODBUS / MODBUS+ Par. No
64	1		1501	46401
64	2		1502	46402
64	3		1503	46403
64	4		1504	46404
64	5		1505	46405
64	6		1506	46406
64	7		1507	46407
64	8		1508	46408
64	9		1509	46409
64	10		1510	46410
64	11		1511	46411
64	12		1512	46412
64	13		1513	46413
64	14		1514	46414
64	15		1515	46415
64	16		1516	46416
64	17		1517	46417
64	18		1518	46418
64	19		1519	46419
64	20		1520	46420
64	21		1521	46421
64	22		1522	46422
64	23		1523	46423
64	24		1524	46424
64	25		1525	46425

Appendix A – Parameter Tables

Group	Index	DCS 600 Parameter	PROFIBUS (add 4000 in FMS mode) Par. No	MODBUS / MODBUS+ Par. No
65	1		1526	46501
65	2		1527	46502
65	3		1528	46503
65	4		1529	46504
65	5		1530	46505
65	6		1531	46506
65	7		1532	46507
65	8		1533	46508
65	9		1534	46509
65	10		1535	46510
65	11		1536	46511
65	12		1537	46512
65	13		1538	46513
65	14		1539	46514
65	15		1540	46515
65	16		1541	46516
65	17		1542	46517
65	18		1543	46518
65	19		1544	46519
65	20		1545	46520
65	21		1546	46521
65	22		1547	46522
65	23		1548	46523
65	24		1549	46524
65	25		1550	46525

Appendix A – Parameter Tables

Group	Index	DCS 600 Parameter	PROFIBUS (add 4000 in FMS mode) Par. No	MODBUS / MODBUS+ Par. No
66	1		1551	46601
66	2		1552	46602
66	3		1553	46603
66	4		1554	46604
66	5		1555	46605
66	6		1556	46606
66	7		1557	46607
66	8		1558	46608
66	9		1559	46609
66	10		1560	46610
66	11		1561	46611
66	12		1562	46612
66	13		1563	46613
66	14		1564	46614
66	15		1565	46615
66	16		1566	46616
66	17		1567	46617
66	18		1568	46618
66	19		1569	46619
66	20		1570	46620
66	21		1571	46621
66	22		1572	46622
66	23		1573	46623
66	24		1574	46624
66	25		1575	46625

Appendix A – Parameter Tables

Group	Index	DCS 600 Parameter	PROFIBUS (add 4000 in FMS mode) Par. No	MODBUS / MODBUS+ Par. No
67	1		1576	46701
67	2		1577	46702
67	3		1578	46703
67	4		1579	46704
67	5		1580	46705
67	6		1581	46706
67	7		1582	46707
67	8		1583	46708
67	9		1584	46709
67	10		1585	46710
67	11		1586	46711
67	12		1587	46712
67	13		1588	46713
67	14		1589	46714
67	15		1590	46715
67	16		1591	46716
67	17		1592	46717
67	18		1593	46718
67	19		1594	46719
67	20		1595	46720
67	21		1596	46721
67	22		1597	46722
67	23		1598	46723
67	24		1599	46724
67	25		1600	46725

Group	Index	DCS 600 Parameter	PROFIBUS (add 4000 in FMS mode) Par. No	MODBUS / MODBUS+ Par. No
68	1		1601	46801
68	2		1602	46802
68	3		1603	46803
68	4		1604	46804
68	5		1605	46805
68	6		1606	46806
68	7		1607	46807
68	8		1608	46808
68	9		1609	46809
68	10		1610	46810
68	11		1611	46811
68	12		1612	46812
68	13		1613	46813
68	14		1614	46814
68	15		1615	46815
68	16		1616	46816
68	17		1617	46817
68	18		1618	46818
68	19		1619	46819
68	20		1620	46820
68	21		1621	46821
68	22		1622	46822
68	23		1623	46823
68	24		1624	46824
68	25		1625	46825

Appendix A – Parameter Tables

Group	Index	DCS 600 Parameter	PROFIBUS (add 4000 in FMS mode) Par. No	MODBUS / MODBUS+ Par. No
69	1		1626	46901
69	2		1627	46902
69	3		1628	46903
69	4		1629	46904
69	5		1630	46905
69	6		1631	46906
69	7		1632	46907
69	8		1633	46908
69	9		1634	46909
69	10		1635	46910
69	11		1636	46911
69	12		1637	46912
69	13		1638	46913
69	14		1639	46914
69	15		1640	46915
69	16		1641	46916
69	17		1642	46917
69	18		1643	46918
69	19		1644	46919
69	20		1645	46920
69	21		1646	46921
69	22		1647	46922
69	23		1648	46923
69	24		1649	46924
69	25		1650	46925

Group	Index	DCS 600 Parameter	PROFIBUS (add 4000 in FMS mode) Par. No	MODBUS / MODBUS+ Par. No
		<i>DDCS CONTROL</i>		
70	1	CH0 NODE ADDR	1651	47001
70	2	CH0 LINK CONTROL	1652	47002
70	3	CH0 BAUD RATE	1653	47003
70	4	CH0 TIMEOUT	1654	47004
70	5	CH0 COM LOSS CTRL	1655	47005
70	6	CH1 LINK CONTROL	1656	47006
70	7	CH2 NODE ADDR	1657	47007
70	8	CH2 MF MODE	1658	47008
70	9	MASTER SIGNAL 1	1659	47009
70	10	MASTER SIGNAL 2	1660	47010
70	11	MASTER SIGNAL 3	1661	47011
70	12	CH2 LINK CONTROL	1662	47012
70	13	CH2 TIMEOUT	1663	47013
70	14	CH2 COM LOSS CTRL	1664	47014
70	15	CH3 NODE ADDR	1665	47015
70	16	CH3 LINK CONTROL	1666	47016
70	17	FOLLOWER SIGNAL 1	1667	47017
70	18	FOLLOWER SIGNAL 2	1668	47018
70	19	FOLLOWER SIGNAL 3	1669	47019
70	20	DSET BASE ADDRESS	1670	47020
70	21		1671	47021
70	22		1672	47022
70	23		1673	47023
70	24		1674	47024
70	25		1675	47025

Appendix A – Parameter Tables

Group	Index	DCS 600 Parameter	PROFIBUS (add 4000 in FMS mode) Par. No	MODBUS / MODBUS+ Par. No
71	1		1676	47101
71	2		1677	47102
71	3		1678	47103
71	4		1679	47104
71	5		1680	47105
71	6		1681	47106
71	7		1682	47107
71	8		1683	47108
71	9		1684	47109
71	10		1685	47110
71	11		1686	47111
71	12		1687	47112
71	13		1688	47113
71	14		1689	47114
71	15		1690	47115
71	16		1691	47116
71	17		1692	47117
71	18		1693	47118
71	19		1694	47119
71	20		1695	47120
71	21		1696	47121
71	22		1697	47122
71	23		1698	47123
71	24		1699	47124
71	25		1700	47125

Appendix A – Parameter Tables

Group	Index	DCS 600 Parameter	PROFIBUS (add 4000 in FMS mode) Par. No	MODBUS / MODBUS+ Par. No
72	1		1701	47201
72	2		1702	47202
72	3		1703	47203
72	4		1704	47204
72	5		1705	47205
72	6		1706	47206
72	7		1707	47207
72	8		1708	47208
72	9		1709	47209
72	10		1710	47210
72	11		1711	47211
72	12		1712	47212
72	13		1713	47213
72	14		1714	47214
72	15		1715	47215
72	16		1716	47216
72	17		1717	47217
72	18		1718	47218
72	19		1719	47219
72	20		1720	47220
72	21		1721	47221
72	22		1722	47222
72	23		1723	47223
72	24		1724	47224
72	25		1725	47225

Appendix A – Parameter Tables

Group	Index	DCS 600 Parameter	PROFIBUS (add 4000 in FMS mode) Par. No	MODBUS / MODBUS+ Par. No
73	1		1726	47301
73	2		1727	47302
73	3		1728	47303
73	4		1729	47304
73	5		1730	47305
73	6		1731	47306
73	7		1732	47307
73	8		1733	47308
73	9		1734	47309
73	10		1735	47310
73	11		1736	47311
73	12		1737	47312
73	13		1738	47313
73	14		1739	47314
73	15		1740	47315
73	16		1741	47316
73	17		1742	47317
73	18		1743	47318
73	19		1744	47319
73	20		1745	47320
73	21		1746	47321
73	22		1747	47322
73	23		1748	47323
73	24		1749	47324
73	25		1750	47325

Appendix A – Parameter Tables

Group	Index	DCS 600 Parameter	PROFIBUS (add 4000 in FMS mode) Par. No	MODBUS / MODBUS+ Par. No
		<i>D SET REC ADDR</i>		
90	1	DSET 10 VAL 1	1751	49001
90	2	DSET 10 VAL 2	1752	49002
90	3	DSET 10 VAL 3	1753	49003
90	4	DSET 12 VAL 1	1754	49004
90	5	DSET 12 VAL 2	1755	49005
90	6	DSET 12 VAL 3	1756	49006
90	7	DSET 14 VAL 1	1757	49007
90	8	DSET 14 VAL 2	1758	49008
90	9	DSET 14 VAL 3	1759	49009
90	10	DSET 16 VAL 1	1760	49010
90	11	DSET 16 VAL 2	1761	49011
90	12	DSET 16 VAL 3	1762	49012
90	13	DSET 18 VAL 1	1763	49013
90	14	DSET 18 VAL 2	1764	49014
90	15	DSET 18 VAL 3	1765	49015
90	16	DSET 20 VAL 1	1766	49016
90	17	DSET 20 VAL 2	1767	49017
90	18	DSET 20 VAL 3	1768	49018
90	19		1769	49019
90	20		1770	49020
90	21		1771	49021
90	22		1772	49022
90	23		1773	49023
90	24		1774	49024
90	25		1775	49025

Appendix A – Parameter Tables

Group	Index	DCS 600 Parameter	PROFIBUS (add 4000 in FMS mode)	MODBUS / MODBUS+
		<i>D SET REC ADDR</i>	Par. No	Par. No
91	1	DSET 22 VAL 1	1776	49101
91	2	DSET 22 VAL 2	1777	49102
91	3	DSET 22 VAL 3	1778	49103
91	4	DSET 24 VAL 1	1779	49104
91	5	DSET 24 VAL 2	1780	49105
91	6	DSET 24 VAL 3	1781	49106
91	7	DSET 32 VAL 1	1782	49107
91	8	DSET 32 VAL 2	1783	49108
91	9	DSET 32 VAL 3	1784	49109
91	10		1785	49110
91	11		1786	49111
91	12		1787	49112
91	13		1788	49113
91	14		1789	49114
91	15		1790	49115
91	16		1791	49116
91	17		1792	49117
91	18		1793	49118
91	19		1794	49119
91	20		1795	49120
91	21		1796	49121
91	22		1797	49122
91	23		1798	49123
91	24		1799	49124
91	25		1800	49125

Appendix A – Parameter Tables

Group	Index	DCS 600 Parameter	PROFIBUS (add 4000 in FMS mode)	MODBUS / MODBUS+
		<i>D SET TR ADDR</i>	Par. No	Par. No
92	1	DSET 11 VAL 1	1801	49201
92	2	DSET 11 VAL 2	1802	49202
92	3	DSET 11 VAL 3	1803	49203
92	4	DSET 13 VAL 1	1804	49204
92	5	DSET 13 VAL 2	1805	49205
92	6	DSET 13 VAL 3	1806	49206
92	7	DSET 15 VAL 1	1807	49207
92	8	DSET 15 VAL 2	1808	49208
92	9	DSET 15 VAL 3	1809	49209
92	10	DSET 17 VAL 1	1810	49210
92	11	DSET 17 VAL 2	1811	49211
92	12	DSET 17 VAL 3	1812	49212
92	13	DSET 19 VAL 1	1813	49213
92	14	DSET 19 VAL 2	1814	49214
92	15	DSET 19 VAL 3	1815	49215
92	16	DSET 21 VAL 1	1816	49216
92	17	DSET 21 VAL 2	1817	49217
92	18	DSET 21 VAL 3	1818	49218
92	19		1819	49219
92	20		1820	49220
92	21		1821	49221
92	22		1822	49222
92	23		1823	49223
92	24		1824	49224
92	25		1825	49225

Appendix A – Parameter Tables

Group	Index	DCS 600 Parameter <i>D SET TR ADDR</i>	PROFIBUS	MODBUS /
			(add 4000 in FMS mode) Par. No	MODBUS+ Par. No
93	1	DSET 23 VAL 1	1826	49301
93	2	DSET 23 VAL 2	1827	49302
93	3	DSET 23 VAL 3	1828	49303
93	4	DSET 25 VAL 1	1829	49304
93	5	DSET 25 VAL 2	1830	49305
93	6	DSET 25 VAL 3	1831	49306
93	7	DSET 33 VAL 1	1832	49307
93	8	DSET 33 VAL 2	1833	49308
93	9	DSET 33 VAL 3	1834	49309
93	10		1835	49310
93	11		1836	49311
93	12		1837	49312
93	13		1838	49313
93	14		1839	49314
93	15		1840	49315
93	16		1841	49316
93	17		1842	49317
93	18		1843	49318
93	19		1844	49319
93	20		1845	49320
93	21		1846	49321
93	22		1847	49322
93	23		1848	49323
93	24		1849	49324
93	25		1850	49325

Group	Index	DCS 600 Parameter	PROFIBUS (add 4000 in FMS mode)	MODBUS / MODBUS+
		<i>CON COMM / ACT</i>	Par. No	Par. No
94	1	INDX ACT 01 /2MS	1851	49401
94	2	INDX ACT 02 /2MS	1852	49402
94	3	INDX ACT 03 /2MS	1853	49403
94	4	INDX ACT 04 /8MS	1854	49404
94	5	INDX ACT 05 /8MS	1855	49405
94	6	INDX ACT 06 /8MS	1856	49406
94	7	INDX ACT 07 /8MS	1857	49407
94	8	INDX ACT 08 /8MS	1858	49408
94	9	INDX ACT 09 /8MS	1859	49409
94	10	INDX ACT 10 /8MS	1860	49410
94	11	INDX ACT 11 /8MS	1861	49411
94	12		1862	49412
94	13		1863	49413
94	14		1864	49414
94	15		1865	49415
94	16		1866	49416
94	17		1867	49417
94	18		1868	49418
94	19		1869	49419
94	20		1870	49420
94	21		1871	49421
94	22		1872	49422
94	23		1873	49423
94	24		1874	49424
94	25		1875	49425

Appendix A – Parameter Tables

Group	Index	DCS 600 Parameter <i>CON COMM / REF</i>	PROFIBUS	MODBUS /
			(add 4000 in FMS mode) Par. No	MODBUS+ Par. No
95	1	INDX REF 01 /2MS	1876	49501
95	2	INDX REF 02 /2MS	1877	49502
95	3	INDX REF 03 /2MS	1878	49503
95	4	INDX REF 04 /8MS	1879	49504
95	5	INDX REF 05 /8MS	1880	49505
95	6	INDX REF 06 /8MS	1881	49506
95	7	INDX REF 07 /8MS	1882	49507
95	8	INDX REF 08 /8MS	1883	49508
95	9	INDX REF 09 /8MS	1884	49509
95	10	INDX REF 10 /8MS	1885	49510
95	11	INDX REF 11 /8MS	1886	49511
95	12	INDX REF 12 /8MS	1887	49512
95	13	INDX REF 13 /8MS	1888	49513
95	14	INDX REF 14 /8MS	1889	49514
95	15		1890	49515
95	16		1891	49516
95	17		1892	49517
95	18		1893	49518
95	19		1894	49519
95	20		1895	49520
95	21		1896	49521
95	22		1897	49522
95	23		1898	49523
95	24		1899	49524
95	25		1900	49525

Group	Index	DCS 600 Parameter	PROFIBUS (add 4000 in FMS mode) Par. No	MODBUS / MODBUS+ Par. No
		<i>OPTION MODULES</i>		
98	1		1901	49801
98	2	COMM MODULE	1902	49802
98	3		1903	49803
98	4		1904	49804
98	5		1905	49805
98	6		1906	49806
98	7		1907	49807
98	8	IO BOARD CONFIG	1908	49808
98	9		1909	49809
98	10		1910	49810
98	11		1911	49811
98	12		1912	49812
98	13		1913	49813
98	14		1914	49814
98	15		1915	49815
98	16		1916	49816
98	17		1917	49817
98	18		1918	49818
98	19		1919	49819
98	20		1920	49820
98	21		1921	49821
98	22		1922	49822
98	23		1923	49823
98	24		1924	49824
98	25		1925	49825

Appendix A – Parameter Tables

Group	Index	DCS 600 Parameter	PROFIBUS (add 4000 in FMS mode) Par. No	MODBUS / MODBUS+ Par. No
		<i>START-UP DATA</i>		
99	1	LANGUAGE	1926	49901
99	2	MOTOR NOM VOLTAGE	1927	49902
99	3	MOTOR NOM CURRENT	1928	49903
99	4		1929	49904
99	5	MOTOR NOM SPEED	1930	49905
99	6	MOTOR NOM POWER	1931	49906
99	7		1932	49907
99	8		1933	49908
99	9	APPLIC RESTORE	1934	49909
99	10	DRIVE ID NUMBER	1935	49910
99	11	APPLICATION MACRO	1936	49911
99	12	DEVICE NAME	1937	49912
99	13		1938	49913
99	14		1939	49914
99	15		1940	49915
99	16		1941	49916
99	17		1942	49917
99	18		1943	49918
99	19		1944	49919
99	20		1945	49920
99	21		1946	49921
99	22		1947	49922
99	23		1948	49923
99	24		1949	49924
99	25		1950	49925

Group	Index	DCS 600 Parameter	PROFIBUS (add 4000 in FMS mode) Par. No	MODBUS / MODBUS+ Par. No
		<i>not used</i>		
			1951	
		 1999	



ABB Industrietechnik GmbH
Antriebe und Automation
Postfach 1180
D-68619 Lampertheim
Telefon: +49(0) 62 06 50 3-0
Telefax: +49(0) 62 06 50 3-5 63

3ADW 000097 R0101 Rev A