

ABB MEASUREMENT & ANALYTICS | DATA SHEET

# SensyMaster FMT230, FMT250

Thermal mass flowmeter



---

## Measurement made easy

Precise and dynamic direct mass flow measurement of gas

---

### Efficient top-quality thermal sensor elements

- Single-chip design on ceramic carrier material for top long-term stability
- Effective protective frames of the sensor elements with flow-forming characteristics for top repeat precision

---

### Powerful electronic unit on a common ABB platform

- Quick Modbus communication via a RS485 interface
- 'Plug-and-play' electronic unit swap with SensorApplicationMemory
- Top precision with dynamic temperature compensation

---

### ApplicationSelector

- Up to 8 configurable applications for top flexibility

---

### Integrated diagnosis and device verification

- Low costs thanks to longer maintenance cycles
- Higher system availability with preventative maintenance
- Process security thanks to sensor element verification

## Overview – models

### Sensor

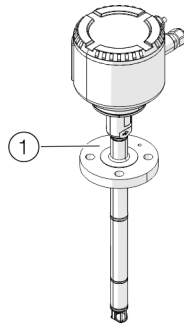


Figure 1: Sensor FMT230, FMT250 (example)

| Model   | FMT230  | FMT250  |
|---|---|---|
| Measuring media   | Gas and gas mixtures with known composition, see table <b>Available gas types</b> on page 7   |   |
| Measuring accuracy for gases*<br>Air  | ±1.2 % of $Q_m$ in the range of 10 to 100 % of the standard measuring range;<br>±0.12 % of the $Q_{maxDN}$ possible in the nominal diameter in the range of 0 to 10 % of the measuring range                | ±0.6 % of the measured value ± 0.05 % of the $Q_{maxDN}$ possible in the nominal diameter |
| Other gases<br>(with optional operating gas calibration)                              | —   | ±1.6 % of the measured value ±0.1 % of the $Q_{maxDN}$ possible in the nominal diameter   |
| Extended measuring range  | Yes, optional (depending on the gas type, with limited measuring accuracy possibly)   | Yes, optional (depending on the gas type, with limited measuring accuracy possibly)       |
| Measuring medium temperature $T_{medium}$   | Standard and explosion-proof design:<br>–20 to 150 °C (–4 to 302 °F)<br>Temperature information for high temperature**, low temperature and DVGW design, see <b>Measured medium temperature</b> on page 12. | Standard and explosion-proof design:<br>–20 to 150 °C (–4 to 302 °F)                      |
| Ambient temperature $T_{ambient}$   | Standard: –20 to 70 °C (–4 to 158 °F)<br>Optional: –40 to 70 °C (–40 to 158 °F)   |   |
| Sensor connection ①   | Flange DN 25 – PN 40, threaded connection DIN 11851, compression fitting  |   |
| Wetted materials  | Stainless steel, ceramic sensor element   |   |
| Power supply  | 24 V DC, ±20 %  |   |
| IP rating   | In accordance with EN 60529: IP 65 / IP 67  |   |
| NEMA rating   | In accordance with NEMA 4X  |   |
| Communication   | Modbus® RTU, RS485  |   |
| Outputs in serial production  | Two passive digital outputs   |   |
| ApplicationSelector   | Yes, up to 2 applications   | Yes, up to 8 applications   |
| Preconfigured applications  | Yes, up to 2 applications   | Yes, up to 4 applications   |
| Freely configurable applications  | No  | Yes, up to 4 applications   |
| Selectable nominal diameters  | Yes   | Yes   |
| Selectable gas type   | No  | Yes   |
| Filling function  | No  | Yes, optional   |
| "VeriMass" diagnosis function   | Yes, optional   | Yes, optional   |
| <b>Approvals and certificates</b>   |   |   |
| ATEX/IECEx/UKEX explosion protection  | Zone 0, 1, 2, 21, 22  | Zone 0, 1, 2, 21, 22  |
| Explosion protection conforming to cFMusClass I Div. 1, Class I Div. 2, Zone 1, 2, 21 |   | Class I Div. 1, Class I Div. 2, Zone 1, 2, 21   |
| Additional approvals  | Available on our website <a href="http://abb.com/flow">abb.com/flow</a> or on request   |   |

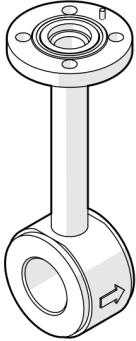
\* The stated measuring accuracy only applies under the reference conditions in the stated standard measuring range.

\*\* Not in connection with explosion-proof design.

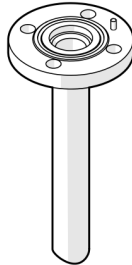
## ... Overview – models

### Pipe components (process connections)

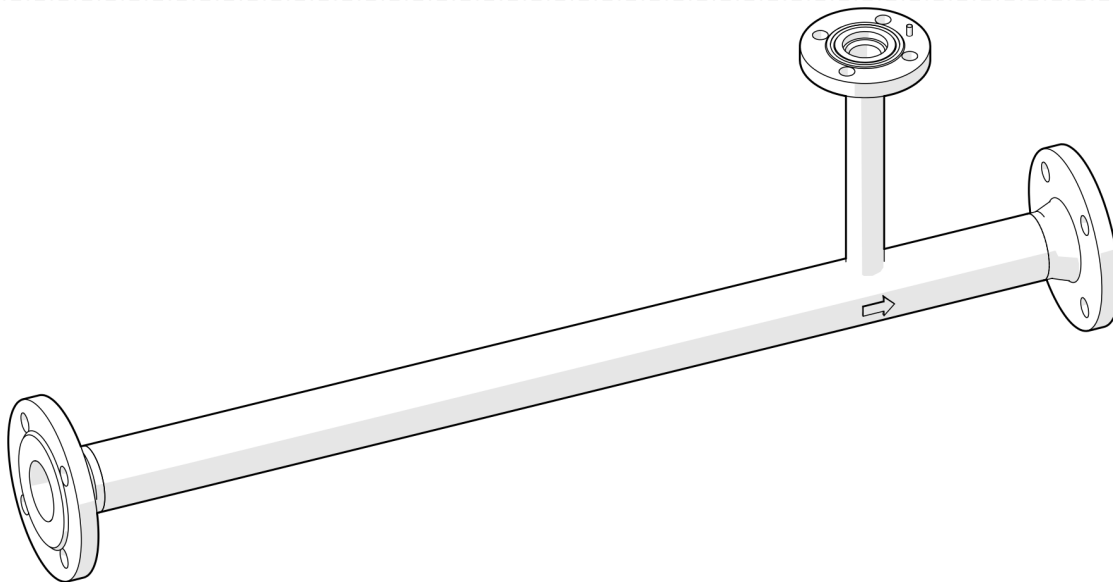
FMT091 – Wafer type design



FMT094 – Weld-on adapter



FMT094 – Weld-on adapter with clamp ring threading



FMT092 – Partial measuring section

Figure 2: Pipe components (examples)

#### Pipe components

|  |  |
|--|--|
| FMT091 – Wafer type design               | In accordance with EN 1092-1: DN 40 to 200, PN 40<br>In accordance with ASME B16.5: 1½ to 8 in, CL 150 to 300  |
| FMT092 – Partial measuring section       | Flange in accordance with EN 1092-1: DN 25 to 100 (larger nominal diameters on request), PN 10 to 40<br>Flange in accordance with ASME B16.5: 1½ to 8 in, CL 150 to 300<br>Male thread DN 25 to 80, R1 to 3 in |
| FMT094 – Weld-on adapter                 | For rectangular ducts or pipe diameters $\geq$ DN 80 (3 in.), PN 16 to 40  |
| Options                                  | With ball valve (order code SCA) or integrated hot tap fitting (order code SCB, SCC, SCD)  |
| ATEX/IECEx/UKEX explosion protection     | Zone 1, 2, 21, 22  |
| Explosion protection conforming to cFMus | Can be used in Div. 1, Div. 2, Zone 1, 2, 21   |

---

**Wetted materials for pipe components**

---

Stainless steel, galvanized

---

---

**Temperature data for pipe components**

---

Measuring medium temperature  $T_{\text{medium}}$  Standard: -20 to 150 °C (-4 to 302 °F)

---

Ambient temperature  $T_{\text{amb}}$  for pipe Standard: -20 to 70 °C (-4 to 158 °F), optional: -40 to 70 °C (-40 to 158 °F)  
components **without** ball valve or integrated hot tap fitting. Depending on the selected **ambient temperature range (TA3/TA9)** of the sensor and O-ring design.

---

Ambient temperature  $T_{\text{amb}}$  for pipe Standard: -20 to 70 °C (-4 to 158 °F)  
components with ball valve or integrated hot tap fitting

**(Sensor connection options: SCA, SCB, SCD)**

---

## ... Overview – models

### Device description

The SensyMaster FMT230, FMT250 works in accordance with the measuring principle of a hot-film anemometer. This measurement method allows for direct measurement of the gas mass flow.

Taking into account the standard density, the norm volume flow can be displayed without the need for additional pressure and temperature compensation.

The device is equipped with a Modbus® interface and two fast digital outputs that can be configured as pulse, frequency or binary outputs.

The SensyMaster FMT230, FMT250 is used in the process industry for the flow measurement of gases and gas mixtures.

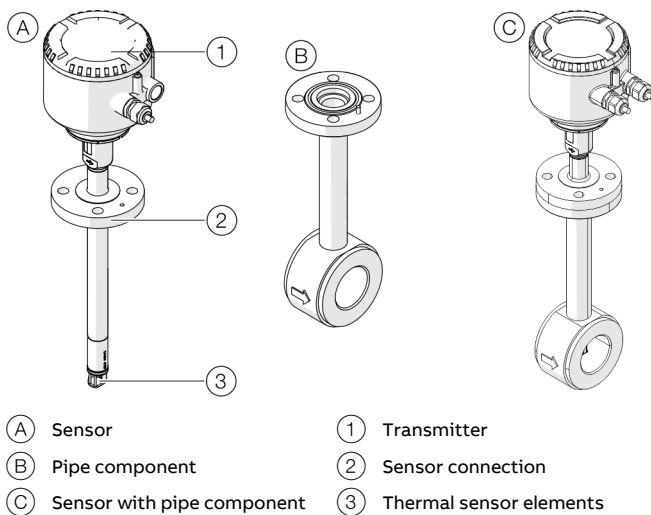


Figure 3: Sensor (example, wafer type design)

The SensyMaster FMT230, FMT250 is composed of the components sensor and pipe component (process connection).

The pipe component can be delivered in various designs. In addition, a weld-on adapter makes it possible to install the flowmeter sensor in rectangular ducts or pipelines with any diameter.

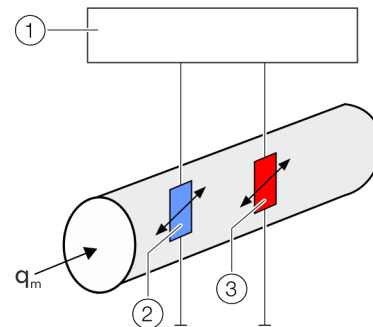
### Measuring principle

Thermal flow metering procedures use different ways to evaluate the flow dependent cooling of a heated resistor as measuring signal.

In a hotfilm anemometer with constant temperature difference control, the heated platinum resistor is maintained at a constant overtemperature in relation to an unheated platinum sensor inside the gas flow.

The heating power required for maintaining the overtemperature depends directly on the flow rate and the material properties of the gas. With a known (and constant) gas composition the mass-flow can be determined by electronically evaluating the heater current / mass-flow curve without additional pressure and temperature compensation. Together with the standard density of the gas this results directly in the standard volume flow.

Considering the high measuring range dynamics up to 1:100, an accuracy smaller than 1 % of the measuring value is achieved.



- |  |                      |
|--|----------------------|
| (1) Transmitter                          | (3) Heating resistor |
| (2) Gas temperature measurement resistor |                      |

Figure 4: Measuring principle (simplified)

The transmitter has three signals available. In addition to the heating power, the temperatures of the measuring medium and the heater resistance are included herein, which can be used to compensate the temperature dependency of gas parameters.

By storing the gas data in the transmitter the optimal tailoring can be calculated and performed at any operating point.

### Advantages of the SensyMaster measuring principle

- Through the provision of several primary and secondary signals, they can be displayed in parallel via the Modbus® interface. This saves a gas temperature measurement.
- Regulating the sensor element and adjusting the signal processing to the process becomes possible through the implementation of fully digital signal processing. Thus, an optimum measuring dynamic can always be achieved even under changing operating conditions.
- The SensyMaster measuring principle can offer an even larger measuring range.

### Typical applications

- Gas volume measurement in the chemical industry and process technology
- Pressurized air balancing
- Gas burner controls
- Digester gas and activation air measurements in sewage plants
- Gas measurement in air separators
- Hydrogen measurements in the process

### ApplicationSelector – integrated data bank for gases

The thermal mass flowmeter SensyMaster FMT230, FMT250 has an integrated gas data bank (see table **Available gas types** on page 7).

Two (FMTx30) or eight (FMTx50) different applications can be defined in total.

Up to two or four applications can also be factory-preconfigured on request.

The operator can define their own applications (only with FMTx50):

- For each application, the gas type can be chosen from a table, additionally gas mixtures of up to ten different gases can also be configured.
- For each application the pipeline diameter can be configured.
- For each application the parameters for the flow rate and temperature measurement can be configured.

#### Available gas types

|   |   |
|---|---|
| Air   | Ketene – CH <sub>2</sub> CO                             |
| Nitrogen – N <sub>2</sub>                     | Diketene – C <sub>4</sub> H <sub>4</sub> O <sub>2</sub> |
| Oxygen – O <sub>2</sub>                       | Ethane – C <sub>2</sub> H <sub>6</sub>                  |
| Methane – CH <sub>4</sub>                     | Ethanol – C <sub>2</sub> H <sub>5</sub> OH              |
| Carbon dioxide – CO <sub>2</sub>              | Ethylene – C <sub>2</sub> H <sub>4</sub>                |
| Hydrogen – H <sub>2</sub>                     | Formaldehyde – CH <sub>2</sub> O                        |
| Biogas Type 1*                                | Helium – He   |
| Propane – C <sub>3</sub> H <sub>8</sub>       | Hexane – C <sub>6</sub> H <sub>14</sub>                 |
| Argon – Ar                                    | Hydrogen sulphide – H <sub>2</sub> S                    |
| Natural gas Type 1*                           | Methanol – CH <sub>3</sub> OH                           |
| Acetone – C <sub>3</sub> H <sub>6</sub> O     | Neon – Ne   |
| Acetylene – C <sub>2</sub> H <sub>2</sub>     | Nitrogen oxide – NO                                     |
| Ammonia – NH <sub>3</sub>                     | Ozone – O <sub>3</sub>                                  |
| 1.2-Butadiene – C <sub>4</sub> H <sub>6</sub> | Pentane – C <sub>5</sub> H <sub>12</sub>                |
| 1.3-Butadiene – C <sub>4</sub> H <sub>6</sub> | Propadiene – C <sub>3</sub> H <sub>4</sub>              |
| Butane – C <sub>4</sub> H <sub>10</sub>       | Propylene – C <sub>3</sub> H <sub>6</sub>               |
| 1 Butane – C <sub>4</sub> H <sub>8</sub>      | Water vapor – H <sub>2</sub> O                          |
| Carbon monoxide – CO                          |   |

\* In the case of natural gas and biogas, the exact composition must be provided.

#### Note

In the case of hydrogen and helium gas types as pure gas or as a component of a gas mixture with a concentration of over 10 %, an optional process gas calibration should always be additionally ordered.

That way, any possible additional measuring errors due to the special characteristics of gases are avoided.

#### Note

For measuring medium H<sub>2</sub> or He in nominal diameter DN 25 to DN 50 or 1 to 2 in please use pipe component design 2 (FMT092) with flow straightener.

## ... Overview – models

### Diagnosis and self-monitoring

The thermal mass flowmeter SensyMaster FMT230, FMT250 also includes the internal monitoring of the transmitter and the sensor.

Amongst other things, the following functions and components are monitored:

- Monitoring of the power supply
- Limit value monitoring of the process values, temperature monitoring of the measuring medium
- Monitoring of the sensor element for line break and short-circuit
- Monitoring of the SensorApplicationMemory

### Sensor element check 'VeriMass. (optional)

#### SensorCheck

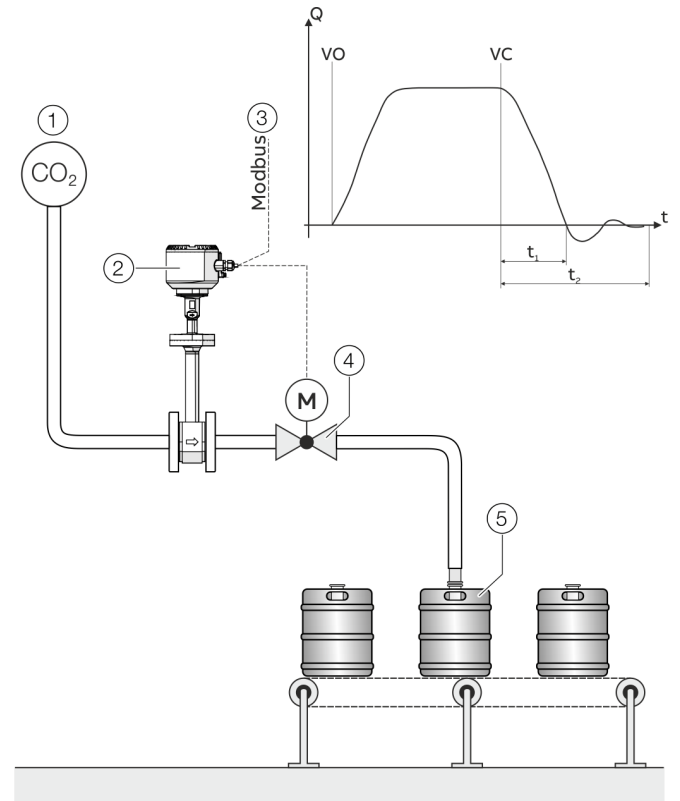
VeriMass includes the SensorCheck, which verifies the integrity of the measuring elements and can notify of possible deposits on the measuring elements.

The SensorCheck relies on the comparison of fingerprints. The finger print includes values that are based on the temperature and heat conductivity of the measuring element. For instance, a fingerprint created during installation can be compared with a fingerprint created at a later point in time.

The SensorCheck must be started in the transmitter and always performed at zero flow under the same conditions. The comparison of values delivers information on possible damage or contamination of the measuring elements.

### FillMass batch function

#### Only with FMT250



- |  |                |
|--|----------------|
| ① Gas pipeline (CO <sub>2</sub> )          | ④ Fill valve   |
| ② Sensor                                   | ⑤ Filling tank |
| ③ Start / stop fill operation (via Modbus) |                |

Figure 5: FillMass filling function (example CO<sub>2</sub> fill)

#### Diagram legend

|       |                                      |
|-------|--------------------------------------|
| VO    | Valve open (filling started)         |
| VC    | Valve closed (fill quantity reached) |
| $t_1$ | Valve closing time                   |
| $t_2$ | Overrun time                         |

The integrated FillMass fill function allows filling operations with filling times of > 3 s.

For this purpose, the filling quantity is given via an adjustable totalizer.

The Modbus interface is used to configure and control the fill function.

The valve is triggered via one of the digital outputs and closed again once the preset filling quantity is reached.

The transmitter measures the overrun quantity and calculates the overrun correction from this.

Additionally, the low flow cut-off can be activated if required.



## Flowmeter sensor

### Installation conditions

#### Installation location and assembly

Note the following points when selecting the installation location and when mounting the sensor:

- The ambient conditions (IP rating, ambient temperature range  $T_{\text{ambient}}$ ) of the device must be adhered to at the installation location.
- Sensors and transmitters must not be exposed to direct sunlight. If necessary, provide a suitable means of sun protection on site. The limit values for ambient temperature  $T_{\text{ambient}}$  must be adhered to.
- On flange devices, ensure that the counterflanges of the piping are aligned plane parallel. Only install flange devices with suitable gaskets.
- Prevent the sensor from coming into contact with other objects.
- The device is designed for industrial applications. No special EMC protective measures are required if the electromagnetic fields and interference at the installation location of the device comply with 'Best Practice' (in accordance with the standards listed in the declaration of conformity).  
Maintain a suitable distance from electromagnetic fields and interference that extend beyond the usual dimensions.

#### Seals

Users are responsible for selecting and mounting suitable gaskets (material, shape).

Note the following points when selecting and mounting gaskets:

- Use gaskets made from a material that is compatible with the measuring medium and measuring medium temperature.
- Gaskets must not extend into the flow area, since possible turbulence may influence the accuracy of the device.

#### Inlet and outlet sections

The figures below show the recommended inlet and outlet sections for various installations.

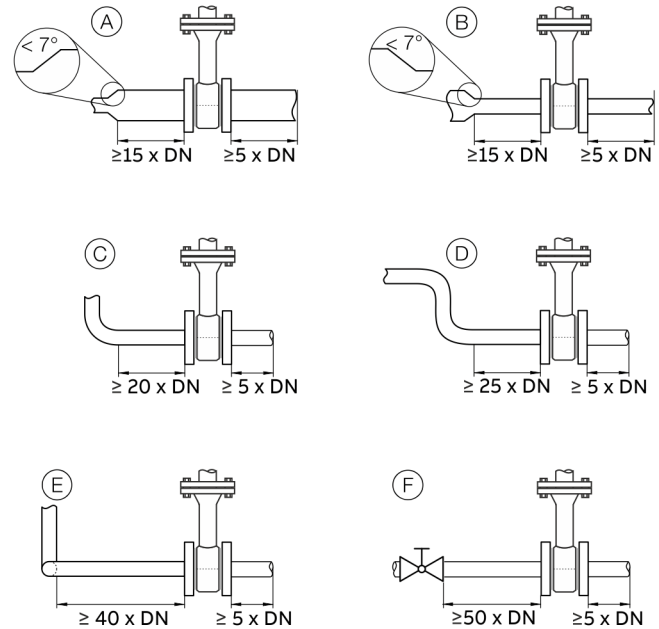


Figure 6: Inlet and outlet sections

| Installation                         | Inlet section | Outlet section |
|--------------------------------------|---------------|----------------|
| (A) Pipe extension                   | min. 15 × DN  | min. 5 × DN    |
| (B) Pipe reduction                   | min. 15 × DN  |                |
| (C) 90° Pipe elbow                   | min. 20 × DN  |                |
| (D) 2 × 90° pipe elbow in one level  | min. 25 × DN  |                |
| (E) 2 × 90° pipe elbow in two levels | min. 40 × DN  |                |
| (F) Control Valve                    | min. 50 × DN  |                |

## ... Flowmeter sensor

To achieve the specified measuring accuracy, the indicated inlet and outlet sections are required.

In case of combinations of several inlet-side effects, e.g. valve and reduction, the longer inlet section must be taken into account.

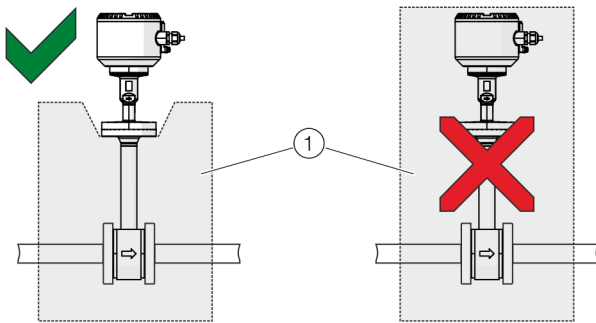
In case of confined spaces at the installation site, the outlet section can be shortened to  $3 \times \text{DN}$ . However, reducing the specified inlet section will reduce the achievable level of accuracy.

A high repeatability of the measured value is maintained.

In case of insufficient inlet and outlet sections, a special calibration may be possible. To do this, a detailed reconciliation is necessary for individual cases.

The specified inlet and outlet sections must be doubled for gases with a very low density (hydrogen, helium).

### Sensor insulation



① Insulation

Figure 7: Isolation of the sensor

The sensor may be insulated as shown in **Figure 7**.

### Installation at high ambient temperatures

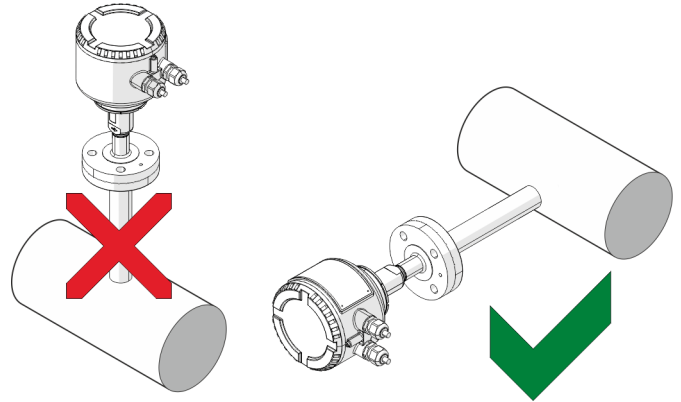


Figure 8: Mounting position at high ambient temperatures

Under high but permissible ambient temperatures, avoid additional thermal stress from heat convection or radiation, since these sources of heat may exceed the permissible ambient temperature on the equipment surface.

If the device needs to be installed directly on a hot, horizontal piping, we recommend installing it on the side. In such cases, you should avoid installing it in the 12 o'clock position, otherwise the warm air that rises up will cause additional heating of the electronics.

### NOTICE – Damage of the device due to high ambient temperature!

To prevent device damage through overheating of the electronics, pay attention to the following points:

- If it is being installed close to sources of heat, adequate shielding must be put in place.
- If it is being installed outdoors, sun protection must be provided.

## Measuring accuracy

### Measured error

The stated measured error only applies under the reference conditions in the stated measuring range. Special calibration on request.

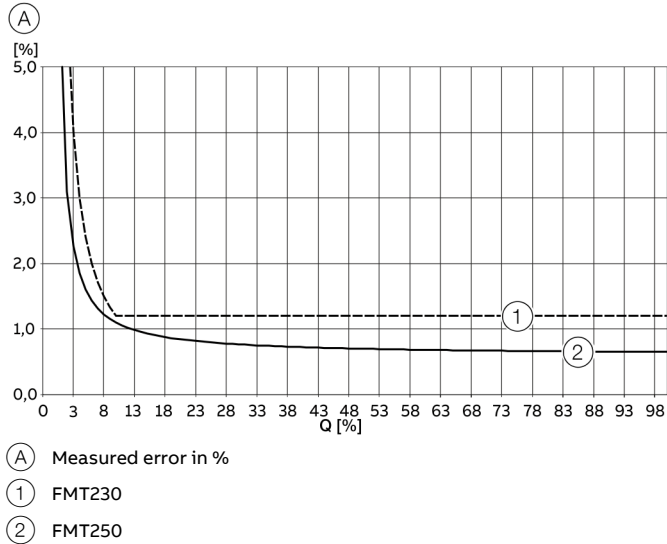


Figure 9: Measured error under reference conditions

| Measured medium                                       | FMT230  | FMT250   |
|---|---|--|
| Air   | <ul style="list-style-type: none"> <li>±1.2 % of the measured value in the range of 10 to 100 % of the measuring range</li> <li>±0.12 % of the measuring range end value possible in the nominal diameter in the range of 0 to 10 % of the measuring range</li> </ul> | <ul style="list-style-type: none"> <li>±0.6 % of the measured value range end value possible in the nominal diameter</li> </ul>                                  |
| Other gases (with optional operating gas calibration) | —   | <ul style="list-style-type: none"> <li>±1.6 % of the measured value</li> <li>±0.1 % of the measuring range end value possible in the nominal diameter</li> </ul> |

### Reference conditions

#### Calibration with air

|                   |                                    |
|-------------------|------------------------------------|
| Calibration gas   | Air                                |
| Temperature       | 21 °C, ± 2°C                       |
| Pressure          | Atmospheric pressure               |
| Relative humidity | 40 to 60 %                         |
| Test laboratory   | In accordance with ISO / IEC 17025 |

#### Calibration with process gas

Order code RP, RM

ABB offers the possibility of calibrating thermal mass flowmeters with non-corrosive and non-toxic gases and mixtures of such, subject to availability.

The availability of gases should be inquired prior to ordering with ABB.

For the following gases: argon (Ar), helium (He), hydrogen (H<sub>2</sub>) and carbon dioxide (CO<sub>2</sub>), ABB recommends operating gas calibration.

The exact reference conditions are noted in the respective calibration certificate.

### Repeatability

< 0.2 % of the measured value, measuring time: 10 s

### Response time

T<sub>63</sub> = 0.5 s

### Effect of the measuring medium temperature

< 0.025 % of the measured value per Kelvin (depending on the gas type)

### Effect of the measuring medium pressure

< 0.1 % of the measured value per 100 kPa (1 bar) (depending on the gas type)

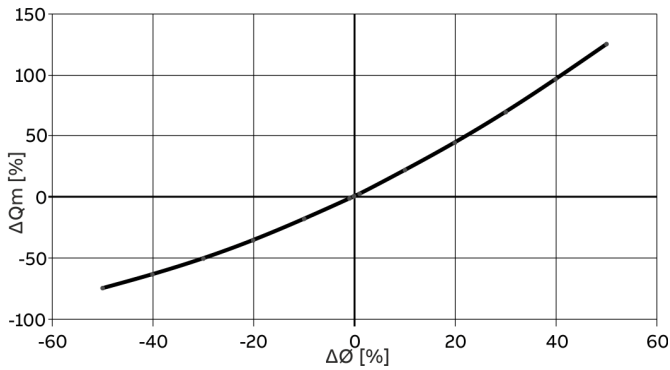
### Influence of the relative humidity of the measuring medium

0.2 % of the measured value per 10 % RH in the range from 15 to 70 % RH

## ... Flowmeter sensor

### Influence of the pipe cross-section

If the inside diameter configured in the device does not correspond with the real diameter of the piping, measuring errors in the flow measurement occur.



$\Delta Q_m$  [%] = Measuring error mass flowmeter in %

$\Delta \emptyset$  [%] = Deviation piping inside diameter in %

Figure 10: Influence of the pipe cross-section

## Ambient conditions

### Note

When using the device in potentially explosive atmospheres, note the additional temperature data in **Temperature data** on page 33!

### Ambient temperature

- Standard: -20 to 70 °C (-4 to 158 °F)
- Optional: -40 to 70 °C (-40 to 158 °F)

### Storage temperature range

Standard design:

-20 to 85 °C (-4 to 185 °F),

Low temperature design:

-40 to 85 °C (-40 to 185 °F)

### Relative humidity

Maximum 85 % RH, annual average  $\leq$  65 % RH

### IP rating

In accordance with EN 60529: IP 65 / IP 67

### NEMA IP rating

NEMA 4X

## Permitted pipe vibration

In accordance with IEC 60068-2-6

Maximum acceleration: 2 g in the frequency range of 10 to 150 Hz

## Process conditions

### Note

When using the device in potentially explosive atmospheres, note the additional temperature data in **Temperature data** on page 33!

### Measured medium temperature

Devices with ceramic sensor element and flanged connection:

| Design                              | $T_{\text{medium}}$           |
|-------------------------------------|-------------------------------|
| Standard and explosion-proof design | -20 to 150 °C (-4 to 302 °F)  |
| High temperature design*            | -20 to 300 °C (-4 to 572 °F)  |
| Low temperature design              | -40 to 150 °C (-40 to 302 °F) |
| DVGW Version                        | -20 to 100 °C (-4 to 212 °F)  |

\* Not in connection with explosion-proof design.

The approved measuring medium temperature  $T_{\text{medium}}$  also depends on the selected sensor connection and the design of the pipe components.

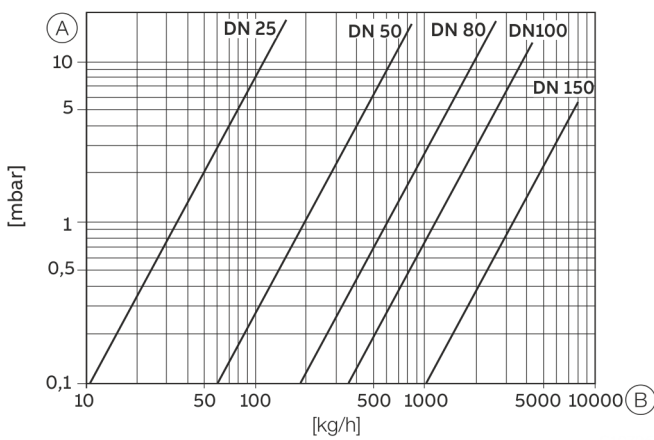
The following temperature specifications apply:

| Sensor connection               | $T_{\text{medium}}$                              |
|---------------------------------|--|
| Flange DN25                     | -40 to maximum 300 °C<br>(-40 to maximum 508 °F) |
| Threaded connection DIN 11851   | -20 to 140 °C (-4 to 284 °F)                     |
| Clamp ring fitting              | -40 to 150 °C (-40 to 302 °F)                    |
| Pipe components with ball valve | Maximum 150 °C (302 °F)                          |
| Integrated hot tap fitting      | -20 to 150 °C (-4 to 302 °F)                     |

## Maximum operating pressure

| Sensor connection                            | Maximum measuring medium pressure $P_{\text{medium}}$ |
|--|---|
| Flange in accordance with DIN EN 1092, PN 40 | 4 MPa, 40 bar (580 psi)                               |
| Threaded connection DIN 11851                | 1.6 MPa, 16 bar (232 psi)                             |
| Clamp ring fitting                           | 2 MPa, 20 bar (290 psi)                               |
| Integrated hot tap fitting                   | See <b>Integrated hot tap fitting</b> on page 29      |

## Pressure loss



(A) Pressure loss

(B) Mass flow

Figure 11: Pressure loss in logarithmic representation

## Sensor installation length

The sensor is available in different installation lengths. Refer to **Sensor** on page 21.

## Sensor connection

The following sensor connections are available for connecting the sensor to the pipe components or the process:

| Sensor connection                                |
|--|
| Flange in accordance with EN 1092-1 DN 25, PN 40 |
| Male thread in accordance with DIN 11851, PN 16  |
| Compression fitting NPT 1 in male thread, PN 20  |

## Materials

### Materials for the sensor

| Wetted components                 | Material   |
|-----------------------------------|--|
| Sensor                            | Stainless steel 1.4404 (AISI 316L)   |
| Sensor element                    | Ceramic  |
| Sensor connection gasket (O-ring) | <ul style="list-style-type: none"> <li>• Viton® (standard)</li> <li>• Kalrez® 4079 / Kalrez® 1050 (for high temperature design)</li> <li>• Kalrez® 1050 (for oxygen)</li> <li>• Kalrez® Spectrum 6375 (for ammonia)</li> <li>• EPDM (DIN 11851)</li> <li>• FKM® (for low temperature design)</li> <li>• HNBR® (for DVGW design)</li> </ul> |

## ... Flowmeter sensor

### Measuring range table

#### Non-Ex areas / Zone 2 / Division 2

The recommended value for applications with air (other gases on request) under atmospheric conditions. For hydrogen and helium, the measuring range lower limit is typically approx. 10 % of the upper limit.

#### Devices with process connections in accordance with EN 1029-1

| Nominal diameter       | Standard measuring range |   | Extended measuring range |   |
|------------------------|--------------------------|---|--------------------------|---|
|                        | Q <sub>max</sub> [kg/h]  | Q <sub>max</sub> [Nm <sup>3</sup> /h]** | Q <sub>max</sub> [kg/h]  | Q <sub>max</sub> [Nm <sup>3</sup> /h]** |
| DN 25 (1 in)           | 180                      | 140                                     | 240                      | 180                                     |
| DN 40 (1½ in)          | 450                      | 350                                     | 590                      | 450                                     |
| DN 50 (2 in)           | 800                      | 620                                     | 1050                     | 800                                     |
| DN 65 (2½ in)          | 1400                     | 1100                                    | 1800                     | 1400                                    |
| DN 80 (3 in)           | 1900                     | 1500                                    | 2500                     | 1900                                    |
| DN 100 (4 in)          | 3200                     | 2500                                    | 4100                     | 3200                                    |
| DN 125 (5 in)          | 4800                     | 3800                                    | 6200                     | 4800                                    |
| DN 150 (6 in)          | 7000                     | 5500                                    | 9000                     | 7000                                    |
| DN 200 (8 in)          | 11800                    | 9200                                    | 15000                    | 12000                                   |
| Ø to 3000 mm (118 in)* | 2500000                  | 1900000                                 | 3200000                  | 2500000                                 |

#### Device with process connections in accordance with ASME B16.5

| Nominal diameter       | Standard measuring range |   | Extended measuring range |   |
|------------------------|--------------------------|---|--------------------------|---|
|                        | Q <sub>max</sub> [lbs/h] | Q <sub>max</sub> [ft <sup>3</sup> /h]** | Q <sub>max</sub> [lbs/h] | Q <sub>max</sub> [ft <sup>3</sup> /h]** |
| 1 in                   | 350                      | 4500                                    | 450                      | 5900                                    |
| 1½ in                  | 880                      | 11000                                   | 1100                     | 14500                                   |
| 2 in                   | 1600                     | 21000                                   | 2000                     | 28000                                   |
| 3 in                   | 3700                     | 50000                                   | 4900                     | 66000                                   |
| 4 in                   | 6400                     | 83000                                   | 8400                     | 108000                                  |
| 6 in                   | 14500                    | 190000                                  | 19000                    | 248000                                  |
| 8 in                   | 25500                    | 325000                                  | 33100                    | 425000                                  |
| Ø to 3000 mm (118 in)* | 5500000                  | 71000000                                | 7100000                  | 93000000                                |

\* Rectangular ducts and larger diameters on request

\*\* Applies for air at 0 °C (32 °F) / 1013.25 hPa (14.696 psia)

\*\*\* Applies for air at 15 °C (59 °F) / 1013.25 hPa (14.696 psia)

**Zone 0 / Zone 1 / Division 1****Devices with process connections in accordance with EN 1029-1**

| Nominal diameter       | Q <sub>max</sub> [kg/h] | Q <sub>max</sub> [Nm <sup>3</sup> /h]** |
|------------------------|-------------------------|---|
| DN 25 (1 in)           | 150                     | 120                                     |
| DN 40 (1½ in)          | 380                     | 300                                     |
| DN 50 (2 in)           | 650                     | 500                                     |
| DN 65 (2½ in)          | 1200                    | 920                                     |
| DN 80 (3 in)           | 1700                    | 1300                                    |
| DN 100 (4 in)          | 3000                    | 2300                                    |
| DN 125 (5 in)          | 4500                    | 3500                                    |
| DN 150 (6 in)          | 6500                    | 5000                                    |
| DN 200 (8 in)          | 11000                   | 8500                                    |
| Ø to 3000 mm (118 in)* | 2300000                 | 1800000                                 |

**Device with process connections in accordance with ASME B16.5**

| Nominal diameter | Q <sub>max</sub> [lbs/h] | Q <sub>max</sub> [ft <sup>3</sup> /h]*** |
|------------------|--------------------------|--|
| 1 in             | 290                      | 3800                                     |
| 1½ in            | 750                      | 10000                                    |
| 2 in             | 1400                     | 18000                                    |
| 3 in             | 3400                     | 45000                                    |
| 4 in             | 6000                     | 80000                                    |
| 6 in             | 14000                    | 180000                                   |
| 8 in             | 24000                    | 310000                                   |

\* Rectangular ducts and larger diameters on request

\*\* Applies for air at 0 °C (32 °F) / 1013.25 hPa (14.696 psia)

\*\*\* Applies for air at 15 °C (59 °F) / 1013.25 hPa (14.696 psia)

**Note**

For additional information on dependencies and restrictions, and for help on product selection, please refer to the Online ABB Product Selection Assistant (PSA) for flow rate at [abb.com/flow-selector](http://abb.com/flow-selector).

# Transmitter

## Electrical connections

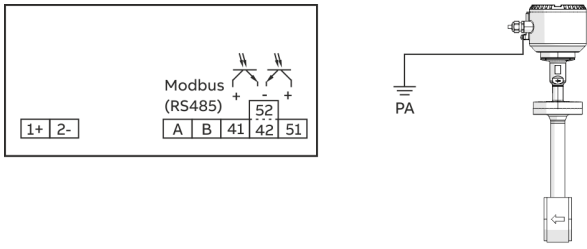


Figure 12: Electrical connection PA = functional ground (potential equalization)

## Connections for the power supply

| DC voltage |                     |
|------------|---------------------|
| Terminal   | Function / comments |
| 1+         | +                   |
| 2-         | -                   |

## Connections for the outputs

| Terminal | Function/comments   |
|----------|---|
| A / B    | Modbus RTU (RS485)  |
| 41 / 42  | <b>Passive digital output DO1</b><br>The output can be configured as a pulse output, frequency output or switch output. |
| 51 / 52  | <b>Passive digital output DO2</b><br>The output can be configured as a pulse output, frequency output or switch output. |

## Electrical data for inputs and outputs

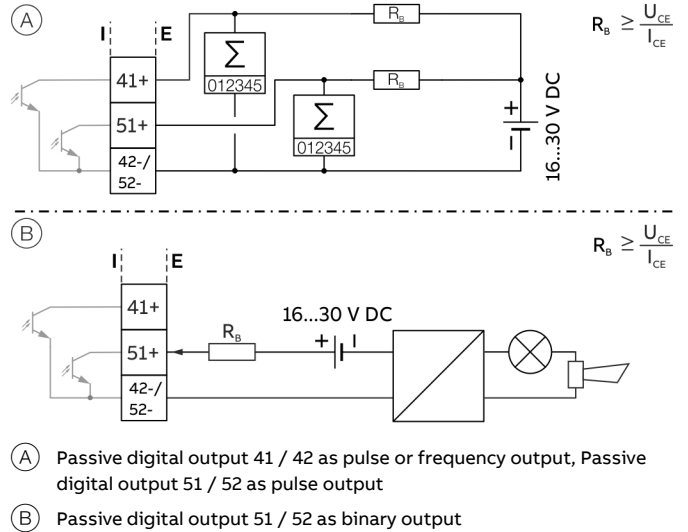
### Note

When using the device in potentially explosive atmospheres, note the additional connection data in **Use in potentially explosive atmospheres** on page 30!

### Power supply

|                   |                                   |
|-------------------|-----------------------------------|
| Supply voltage    | 24 V DC ± 20 %<br>(ripple: ≤ 5 %) |
| Power consumption | P ≤ 10 W                          |

## Digital output 41 / 42, 51 / 52 Can be configured via Modbus.



- (A) Passive digital output 41 / 42 as pulse or frequency output, Passive digital output 51 / 52 as pulse output
- (B) Passive digital output 51 / 52 as binary output

Figure 13: Passive digital outputs (I = internal, E = external)

| Pulse / frequency output (passive) |  |
|------------------------------------|--|
| Terminals                          | 41 / 42 (pulse / frequency output)<br>51 / 52 (pulse output)   |
| Output 'closed'                    | $0 V \leq U_{CEL} \leq 3 V$<br>For $f < 2.5 \text{ kHz}$ : $2 \text{ mA} < I_{CEL} < 30 \text{ mA}$<br>For $f > 2.5 \text{ kHz}$ : $10 \text{ mA} < I_{CEL} < 30 \text{ mA}$ |
| Output 'open'                      | $16 V \leq U_{CEH} \leq 30 V \text{ DC}$<br>$0 \text{ mA} \leq I_{CEH} \leq 0.2 \text{ mA}$  |
| $f_{\text{max}}$                   | 10.5 kHz   |
| Pulse width                        | 0.1 to 2000 ms   |

| Binary output (passive) |   |
|-------------------------|---|
| Terminals               | 41 / 42, 51 / 52  |
| Output 'closed'         | $0 V \leq U_{CEL} \leq 3 V$<br>$2 \text{ mA} \leq I_{CEL} \leq 30 \text{ mA}$               |
| Output 'open'           | $16 V \leq U_{CEH} \leq 30 V \text{ DC}$<br>$0 \text{ mA} \leq I_{CEH} \leq 0.2 \text{ mA}$ |
| Switching function      | Configurable  |

### Note

- Digital output 51 / 52 **cannot** be configured as a frequency output.
- Terminals 42 / 52 have the same potential. Digital outputs 41 / 42 and 51 / 52 are not electrically isolated from each other.
- If you are using a mechanical counter, we recommend setting a pulse width of  $\geq 30 \text{ ms}$  and a maximum frequency of  $f_{\text{max}} \leq 3 \text{ kHz}$ .



**Modbus® communication**

**Note**

The Modbus® protocol is an unsecured protocol, as such the intended application should be assessed to ensure that these protocols are suitable before implementation.

Modbus is an open standard owned and administrated by an independent group of device manufacturers styled the Modbus Organization ([www.modbus.org/](http://www.modbus.org/)).

Using the Modbus protocol allows devices made by different manufacturers to exchange information via the same communication bus, without the need for any special interface devices to be used.

| Modbus protocol       |  |
|-----------------------|--|
| Terminals             | V1 / V2  |
| Configuration         | Via the Modbus interface or via the local operating interface in connection with a corresponding Device Type Manager (DTM) |
| Transmission          | Modbus RTU - RS485 serial connection   |
| Baud rate             | 2400, 4800, 9600, 19200, 38400, 56000, 57600, 115200 baud<br>Factory setting: 9600 baud                                    |
| Parity                | None, even, odd<br>Factory setting: odd  |
| Stop bit              | One, two<br>Factory setting: One   |
| IEEE format           | Little endian, big endian<br>Factory setting: Little endian  |
| Typical response time | < 100 ms   |
| Response delay time   | 0 to 200 milliseconds<br>Factory setting: 10 milliseconds  |

**Cable specification**

The maximum permissible length is dependent on the baud rate, the cable (diameter, capacity and surge impedance), the number of loads in the device chain, and the network configuration (2-core or 4-core).

- At a baud rate of 9600 and with a conductor cross-section of at least 0.14 mm<sup>2</sup> (AWG 26), the maximum length is 1000 m (3280 ft).
- When using a 4-core cable as a 2-wire wiring system, the maximum length must be halved.
- The spur lines must be short, a maximum of 20 m (66 ft).
- When using a distributor with 'n' connections, each branch must have a maximum length of 40 m (131 ft) divided by 'n.'

The maximum cable length depends on the type of cable used. The following standard values apply:

- Up to 6 m (20 ft): cable with standard shielding or twisted-pair cable.
- Up to 300 m (984 ft): double twisted-pair cable with overall foil shielding and integrated earth cable.
- Up to 1200 m (3937 ft): double twisted-pair cable with individual foil shielding and integrated earth cables. Example: Belden 9729 or equivalent cable.

A category 5 cable can be used for Modbus RS485 up to a maximum length of 600 m (1968 ft). For the symmetrical pairs in RS485 systems, a surge impedance of more than 100 Ω is preferred, especially at a baud rate of 19200 and above.

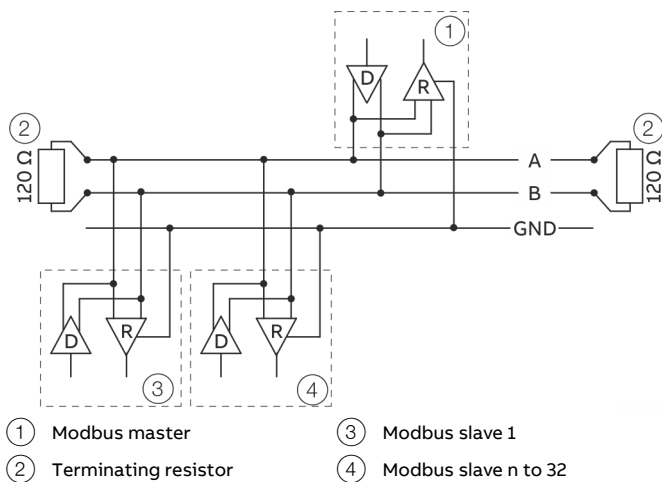


Figure 14: Communication with the Modbus protocol

## ... Transmitter

### Materials

#### Materials for the transmitter terminal box

##### Housing

- Aluminum EN AC-44200 (YL104)

or

- Stainless steel 1.4409 (ASTM CF3M)

Housing color (only for aluminum housing)

- RAL 9002

Layer thickness of the paint: 80 to 120 µm

## Pipe components

### Process connections

The pipe components are available with the following process connections:

| Type   | Process connection   |
|--------|--|
| FMT091 | <b>Wafer type design</b> <ul style="list-style-type: none"> <li>DN 25 to 200, PN 40 in accordance with EN 1092-1</li> <li>1 to 8 in, CL 150 / CL 300 in accordance with ASME B 16.5</li> </ul>   |
| FMT092 | <b>Partial measuring section</b><br>(optional with flow straightener) <ul style="list-style-type: none"> <li>DN 25 to 100, PN 40, flange in accordance with EN 1092-1</li> <li>1 to 8 in, CL 150 / CL 300, flange in accordance with ASME B 16.5</li> <li>DN 25 to 80, PN 10, flange in accordance with EN1092-1 B1</li> <li>DN 25 to 80, PN 10, male thread R1 to 3 in</li> </ul> |
| FMT094 | <b>Weld-on adapter</b><br>The ball valve variants are available for all designs (FMT091/FMT092/FMT094) for rectangular ducts or pipe diameters DN 100 to 3000.   |

The pipe components are available optionally with ball valve or integrated hot tap fitting.

- The pipe components with ball valve are approved for use in ATEX/IECEX/UKEX Zone 2 or cFMus Div. 2.
- The integrated hot tap fitting is approved for use in ATEX/IECEX/UKEX Zone 1, Zone 2 (not Zone 0) or cFMus Div. 1 and Div. 2.
- For information on measuring medium temperature, see **Measured medium temperature** on page 12.

The installation length of the sensor must be taken into account when selecting the pipe component!

### Materials

#### Wetted materials for the pipe components

| Type                                       | Material   |
|--|--|
| FMT091<br>Wafer type design                | Stainless steel 1.4571 (AISI 316 Ti)                                       |
| FMT092<br>Partial measuring section        | Stainless steel 1.4571 (AISI 316 Ti) or stainless steel 1.4301 (AISI 304)  |
| Partial measuring section with male thread | Steel, galvanized  |
| FMT094<br>Weld-on adapter                  | Stainless steel 1.4571 (AISI 316 Ti) optional: carbon steel 1.0037 (S 235) |

**Material loads for process connections**

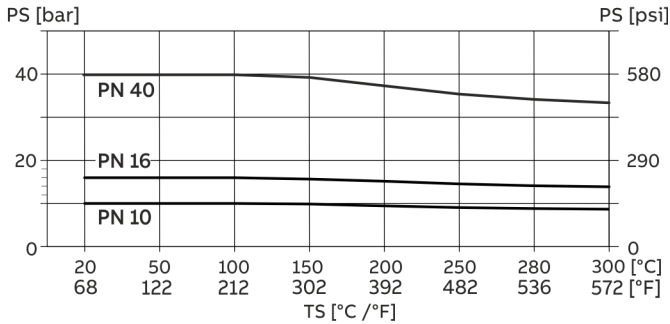


Figure 15: DIN flange process connection

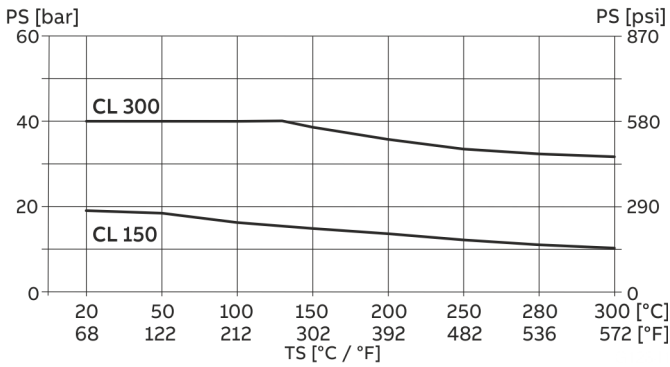


Figure 16: ASME flange process connection

The maximum approved operating pressure for CL 300 is limited to 40 bar (580 psi).

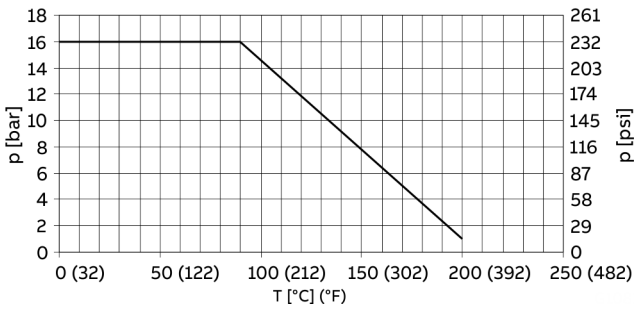


Figure 17: Maximum pressure/temperature values for integrated hot tap fitting

**Integrated hot tap fitting**

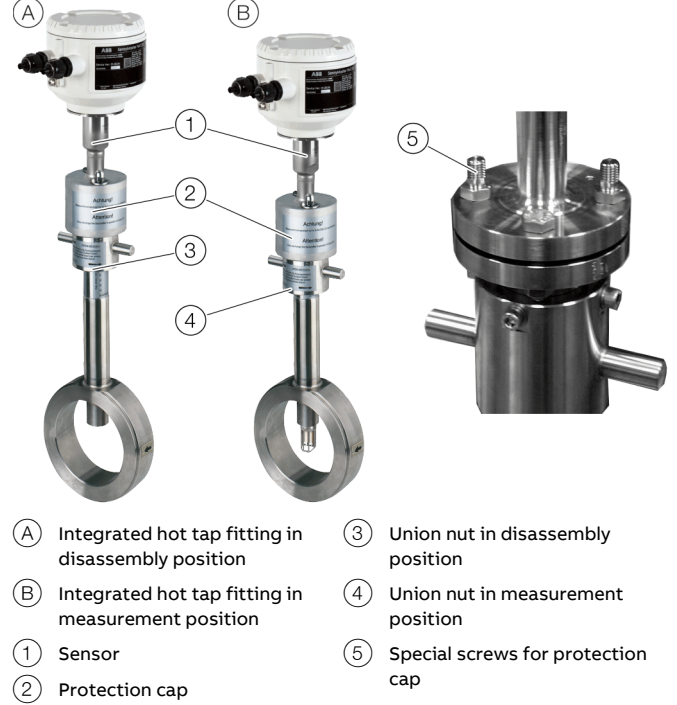


Figure 18: Integrated hot tap fitting (example)

The integrated hot tap fitting is used in conjunction with the previously described pipe components and weld-on adapters if it should be possible to remove the sensor during running operation.

The hot tap fitting is recommended for measurements in main lines (for example pressurized air supply) or at measuring points that need to be rinsed before the sensor is disassembled.

In general, a hot tap fitting should be used in case of measurements that make shutting-off device parts necessary to remove the sensor.

---

## ... Pipe components

### Explosion protection approval

The integrated hot tap fitting is approved for use in potentially explosive atmospheres of ATEX/IECEX/UKEX Zone 1 and Zone 2 or cFMus Div. 1 and Div. 2.

**Use in Zone 0 is not permitted!**

### Measuring medium temperature

Refer to **Measured medium temperature** on page 12.

### Process connection

The integrated hot tap fitting is available in wafer type or welding design.

Connection flanges PN 16 with four screw holes must be used in the integrated hot tap fitting in wafer type design DN 65.

Wafer type designs 2 to 8 in only for connection flanges in accordance with ASME B16.5, CI 150.

## Dimensions

### Sensor

All dimensions and weights are specified in mm (in) or kg (lb).

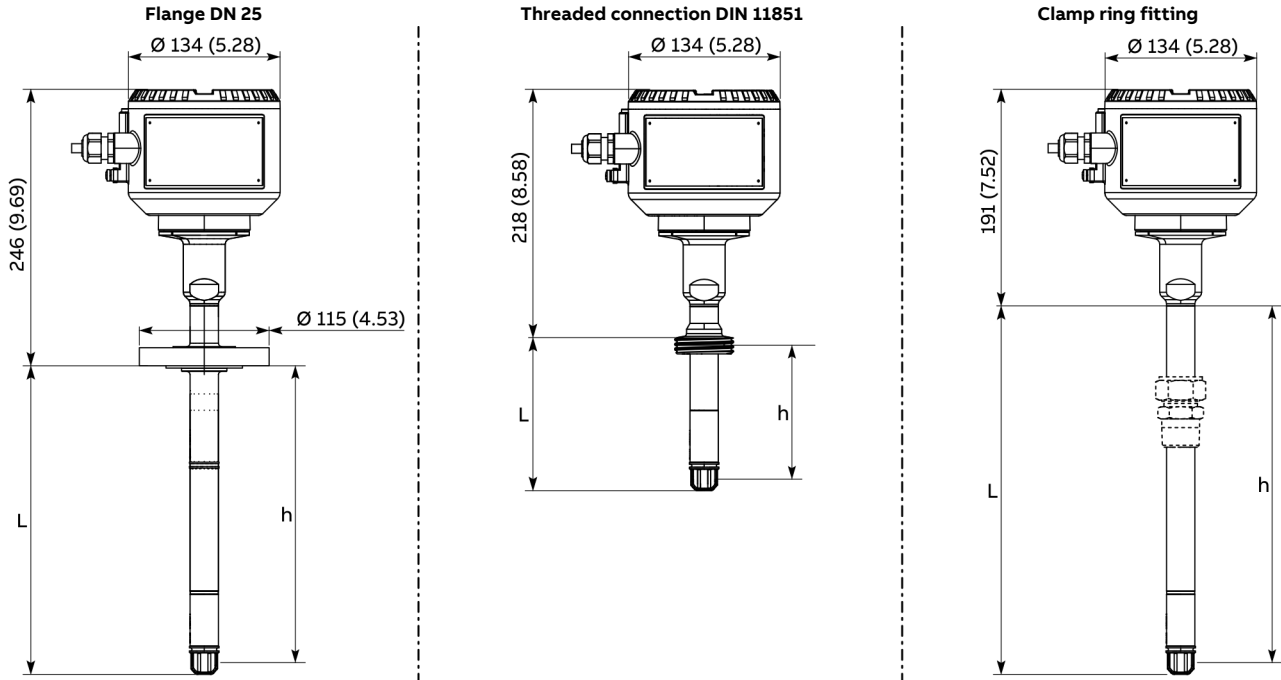


Figure 19: Sensor

| Sensor connection             | For nominal piping diameter     | L           | h (installation length) | Approximate weight |
|-------------------------------|---------------------------------|-------------|-------------------------|--------------------|
|                               |                                 | mm (in)     | mm (in)                 | Kg (lb)            |
| Flange DN 25                  | DN 25 to 350 (1 to 14 in)       | 271 (10.64) | 263 (10.35)             | 5 (11)             |
|                               | > DN 350 to 700 (> 14 to 28 in) | 433 (17.05) | 425 (16.73)             | 5.5 (12)           |
|                               | > DN 700 (> 28 in)              | 783 (30.83) | 775 (30.51)             | 6 (13)             |
| Clamp ring fitting            | DN 25 to 350 (1 to 14 in)       | 326 (12.83) | 318 (12.52)             | 4 (8.8)            |
|                               | > DN 350 to 700 (> 14 to 28 in) | 488 (19.21) | 480 (18.90)             | 4.5 (9.9)          |
|                               | > DN 700 (> 28 in)              | 838 (32.99) | 830 (32.68)             | 5.5 (12)           |
| Threaded connection DIN 11851 | DN 25 to 80 (1 to 3 in)         | 136 (5.53)  | 120 (4.72)              | 3.2 (7)            |

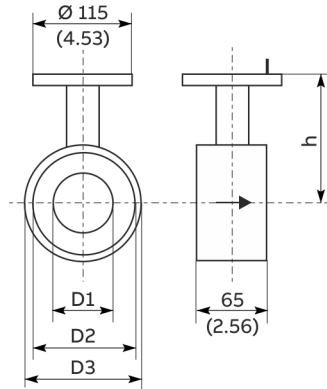
### Note

The specified nominal piping diameters apply for the use of the sensor with pipe components without ball valves or hot tap fittings.

## ... Dimensions

### Pipe components

All dimensions and weights are specified in mm (in) or kg (lb).



FMT091 – Wafer type design

Figure 20: Wafer type design dimensions

#### FMT091 – Wafer type design in accordance with EN 1092-1, PN 40 – Sensor connection: flange DN 25

| Nominal diameter | h           | D1           | D2          | D3          | Weight      |
|------------------|-------------|--------------|-------------|-------------|-------------|
| DN 40            | 263 (10.35) | 43.1 (1.70)  | 88 (3.46)   | 94 (3.70)   | 4.5 (10)    |
| DN 50            |             | 54.5 (2.15)  | 102 (4.02)  | 109 (4.29)  | 5.0 (11)    |
| DN 65            |             | 70.3 (2.77)  | 122 (4.80)  | 129 (5.08)  | —           |
| DN 80            |             | 82.5 (3.25)  | 138 (5.43)  | 144 (5.67)  | 7.0 (15.5)  |
| DN 100           |             | 107.1 (4.22) | 162 (6.38)  | 170 (6.69)  | 8.5 (18.7)  |
| DN 125           |             | 131.7 (5.19) | 188 (7.40)  | 196 (7.72)  | —           |
| DN 150           |             | 159.3 (6.27) | 218 (8.58)  | 226 (8.90)  | 11.5 (25.5) |
| DN 200           |             | 206.5 (8.13) | 285 (11.22) | 293 (11.54) | —           |

#### FMT091 – Wafer type design in accordance with ASME B 16.5, CL 150 – Sensor connection: flange DN 25

| Nominal diameter | h           | D1           | D2          | D3          | Weight |
|------------------|-------------|--------------|-------------|-------------|--------|
| 1½ in            | 263 (10.35) | 40.9 (1.61)  | 73 (2.87)   | 85 (3.35)   | —      |
| 2 in             |             | 52.6 (2.07)  | 92 (3.62)   | 103 (4.06)  | —      |
| 3 in             |             | 78.0 (3.07)  | 127 (5.00)  | 135 (5.31)  | —      |
| 4 in             |             | 102.4 (4.03) | 157 (6.18)  | 173 (6.81)  | —      |
| 6 in             |             | 154.2 (6.07) | 216 (8.50)  | 221 (8.70)  | —      |
| 8 in             |             | 202.7 (7.98) | 270 (10.63) | 278 (10.94) | —      |

#### FMT091 – Wafer type design in accordance with ASME B 16.5, CL 300 – Sensor connection: flange DN 25

| Nominal diameter | h           | D1           | D2          | D3          | Weight |
|------------------|-------------|--------------|-------------|-------------|--------|
| 1½ in            | 263 (10.35) | 40.9 (1.61)  | 73 (2.87)   | 94 (3.70)   | —      |
| 2 in             |             | 52.6 (2.07)  | 92 (3.62)   | 110 (4.33)  | —      |
| 3 in             |             | 78.0 (3.07)  | 127 (5.00)  | 148 (5.83)  | —      |
| 4 in             |             | 102.4 (4.03) | 157 (6.18)  | 180 (7.09)  | —      |
| 6 in             |             | 154.2 (6.07) | 216 (8.50)  | 249 (9.80)  | —      |
| 8 in             |             | 202.7 (7.98) | 270 (10.63) | 307 (12.09) | —      |

All dimensions and weights are specified in mm (in) or kg (lb).

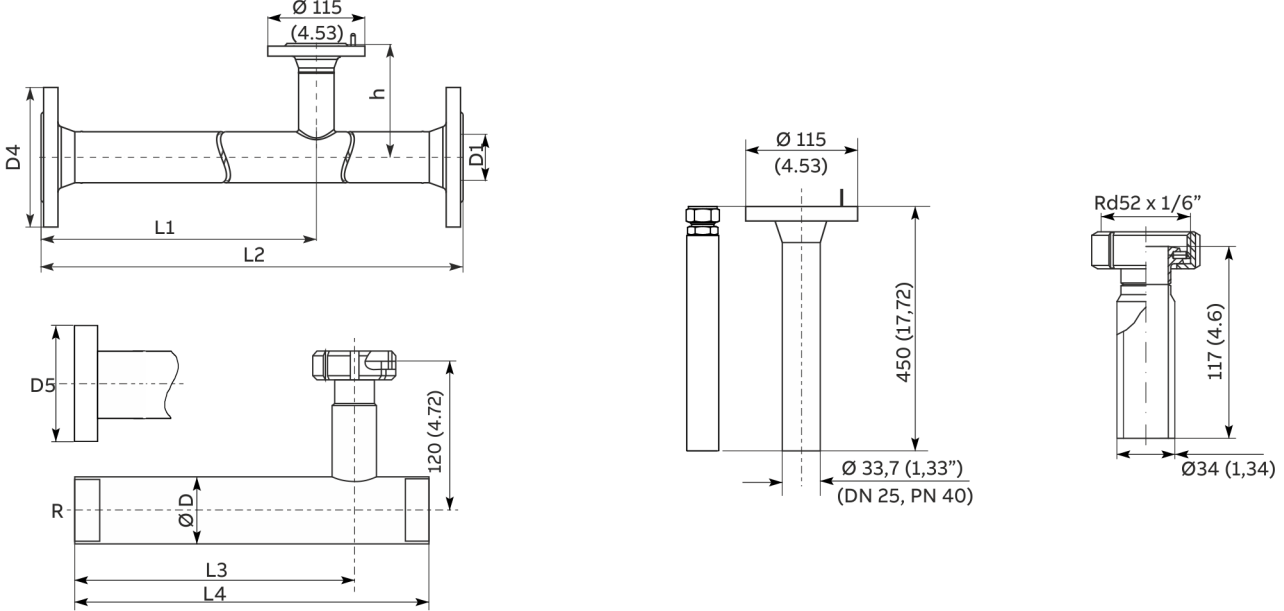


Figure 21:

| <b>FMT092 – Partial measuring section with flange in accordance with EN 1092-1, Form B1, PN 40 – Sensor connection: flange DN 25</b> |             |              |            |              |              |            |  |
|--|-------------|--------------|------------|--------------|--------------|------------|--|
| Nominal diameter   | h           | D1           | D4         | L1           | L2           | Weight     |  |
| DN 25  | 263 (10.35) | 28.5 (1.12)  | 115 (4.53) | 486 (19.13)  | 600 (23.62)  | 5.5 (12.0) |  |
| DN 40  |             | 43.1 (1.70)  | 150 (5.91) | 731 (28.78)  | 860 (33.86)  | 8.0 (17.5) |  |
| DN 50  |             | 54.5 (2.15)  | 165 (6.50) | 837 (32.95)  | 1000 (39.37) | 11 (24.3)  |  |
| DN 65  |             | 70.3 (2.77)  | 185 (7.28) | 1190 (46.85) | 1400 (55.12) | 16.5 (36)  |  |
| DN 80  |             | 82.5 (3.25)  | 200 (7.87) | 1450 (57.09) | 1700 (66.93) | 22.5 (49)  |  |
| DN 100   |             | 107.1 (4.22) | 235 (9.25) | 1870 (73.62) | 2200 (86.61) | 34 (74)    |  |

| <b>FMT092 – Partial measuring section with flange in accordance with EN 1092-1, Form B1, PN 10 – Sensor connection: threaded connection DIN 11851</b> |             |            |              |              |        |  |
|---|-------------|------------|--------------|--------------|--------|--|
| Nominal diameter  | ØD inside   | D5         | L3           | L4           | Weight |  |
| DN 25   | 27.3 (1.07) | 115 (4.53) | 410 (16.14)  | 550 (21.65)  | –      |  |
| DN 40   | 41.9 (1.65) | 150 (5.91) | 615 (24.21)  | 820 (32.28)  | –      |  |
| DN 50   | 53.9 (2.12) | 165 (6.50) | 810 (31.89)  | 1080 (42.52) | –      |  |
| DN 80   | 79.9 (3.15) | 200 (7.87) | 1200 (47.24) | 1600 (62.99) | –      |  |

| <b>FMT092 – Partial measuring section with male thread, PN 10 – sensor connection: threaded connection DIN 11851</b> |             |                      |              |              |        |  |
|--|-------------|----------------------|--------------|--------------|--------|--|
| Nominal diameter   | ØD inside   | R male thread        | L3           | L4           | Weight |  |
| DN 25  | 27.3 (1.07) | R1" – 33.7 x 1.2     | 410 (16.14)  | 550 (21.65)  | –      |  |
| DN 40  | 41.9 (1.65) | R1 1/2" – 48.3 x 3.2 | 615 (24.21)  | 820 (32.28)  | –      |  |
| DN 50  | 53.9 (2.12) | R2" – 60.3 x 3.2     | 810 (31.89)  | 1080 (42.52) | –      |  |
| DN 80  | 79.9 (3.15) | R3" – 88.9 x 4.5     | 1200 (47.24) | 1600 (62.99) | –      |  |

## ... Dimensions

All dimensions and weights are specified in mm (in) or kg (lb).

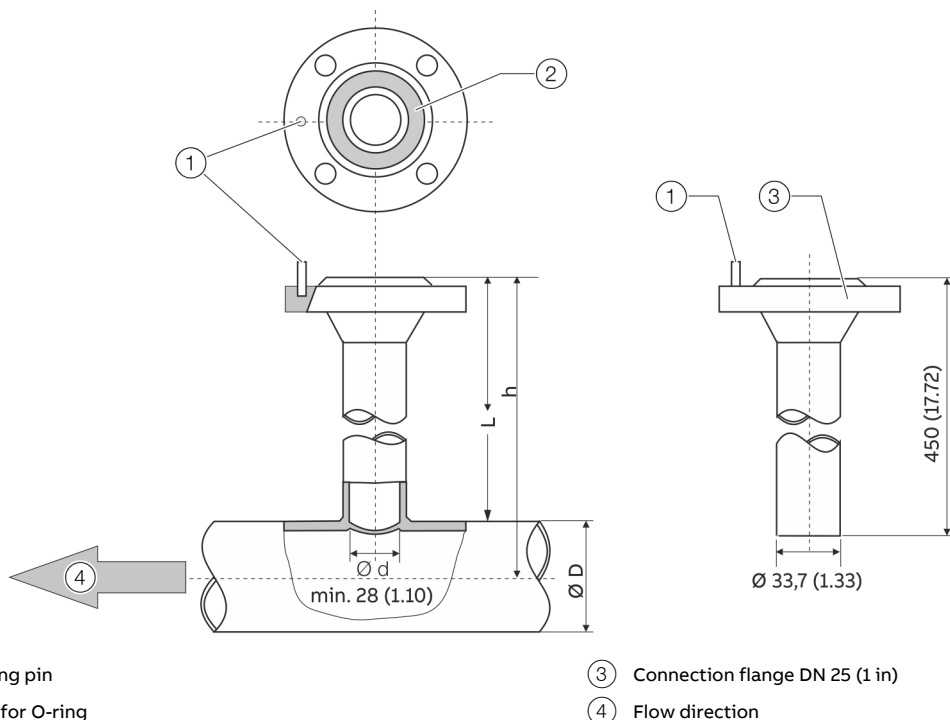
| <b>FMT092 – Partial measuring section with flange in accordance with ASME B 16.5, CL 150 – Sensor connection: flange DN 25</b> |             |              |            |             |              |               |
|--|-------------|--------------|------------|-------------|--------------|---------------|
| <b>Nominal diameter</b>  | <b>h</b>    | <b>D1</b>    | <b>D4</b>  | <b>L1</b>   | <b>L2</b>    | <b>Weight</b> |
| 1 in   | 263 (10.35) | 26.6 (1.05)  | 108 (4.25) | 454 (17.87) | 560 (22.05)  | 5.1 (11)      |
| 1½ in  |             | 40.9 (1.61)  | 127 (5.00) | 741 (29.17) | 864 (34.02)  | 7.6 (16.5)    |
| 2 in   |             | 52.6 (2.07)  | 154 (6.06) | 846 (33.31) | 1003 (39.49) | 12.3 (26.8)   |
| 3 in   |             | 78.0 (3.07)  | –          | –           | –            | 21.3 (46)     |
| 4 in   |             | 102.4 (4.03) | –          | –           | –            | 32.5 (71)     |

| <b>FMT092 – Partial measuring section with flange in accordance with ASME B 16.5, CL 300 – Sensor connection: flange DN 25</b> |             |              |              |             |              |               |
|--|-------------|--------------|--------------|-------------|--------------|---------------|
| <b>Nominal diameter</b>  | <b>h</b>    | <b>d1</b>    | <b>D4</b>    | <b>L4</b>   | <b>L3</b>    | <b>Weight</b> |
| 1 in   | 263 (10.35) | 26.6 (1.05)  | 123.9 (4.88) | 454 (17.87) | 560 (22.05)  | –             |
| 1½ in  |             | 40.9 (1.61)  | 155.4 (6.12) | 741 (29.17) | 864 (34.02)  | –             |
| 2 in   |             | 52.6 (2.07)  | 165.1 (6.50) | 846 (33.31) | 1003 (39.49) | –             |
| 3 in   |             | 78.0 (3.07)  | –            | –           | –            | –             |
| 4 in   |             | 102.4 (4.03) | –            | –           | –            | –             |



**Welding adapter**

Dimensions in mm (in)



- ① Centering pin
- ② Groove for O-ring
- ③ Connection flange DN 25 (1 in)
- ④ Flow direction

Figure 22: Dimensions in mm (in)

| <b>h – sensor length</b> | <b>Ø D – outer pipe diameter</b>  |
|--------------------------|-----------------------------------|
| 263 (10.35)              | 80 to 350 (3.24 to 13.78)         |
| 425 (16.73)              | > 350 to 700 (> 13.78 to 27.56)   |
| 775 (30.51)              | > 700 to 1400 (> 27.56 to 55.12)* |

\* The limitation of the maximum pipe diameter only applies for installations with a sensor element in the middle of the pipe. In case of larger or non-round cross-sections, a non-centered position of the measuring element in the piping is considered in the calibration.

**Note**

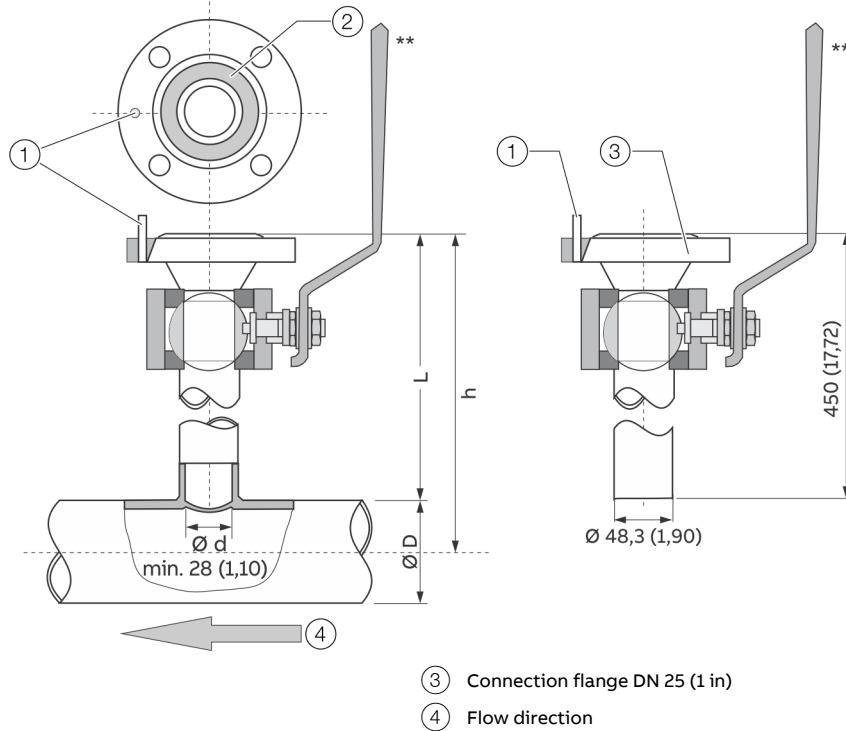
When mounting the weld-on adapter, observe the following points:

- The welding adapters must be shortened to the dimension L before installation, in accordance with:  $L = h - (1/2 \times \text{Ø D})$ .
- The distance h from the upper edge of the flange to the pipe central axis must be within a tolerance of  $\pm 2 \text{ mm } (\pm 0.08\text{'})$ .
- Maintain the right angle to the pipe axis (max. tolerance  $\pm 2^\circ$ ).
- The adapter centering pin must be aligned with the pipe axis in the flow direction (outflow side, behind the measuring point).

## ... Dimensions

### Weld-on adapter with ball valve

Dimensions in mm (in)



① Centering pin

② Groove for O-ring

③ Connection flange DN 25 (1 in)

④ Flow direction

Figure 23: Dimensions in mm (in)

| h – sensor length | Ø D - outer pipe diameter         |
|-------------------|-----------------------------------|
| 263 (10.35)       | 80 to 150 (3.24 to 5.91)          |
| 425 (16.73)       | > 150 to 500 (> 5.91 to 19.69)    |
| 775 (30.51)       | > 500 to 1150 (> 19.69 to 45.28)* |

\* The limitation of the maximum pipe diameter only applies for installations with a sensor element in the middle of the pipe. In case of larger or non-round cross-sections, a non-centered position of the measuring element in the piping is considered in the calibration.

\*\* Ball valve  $T_{\text{medium}}$ : maximum 150 °C (302 °F), explosion protection approval for use in ATEX/IECEX/UKEX Zone 2 or cFMus Div. 2.

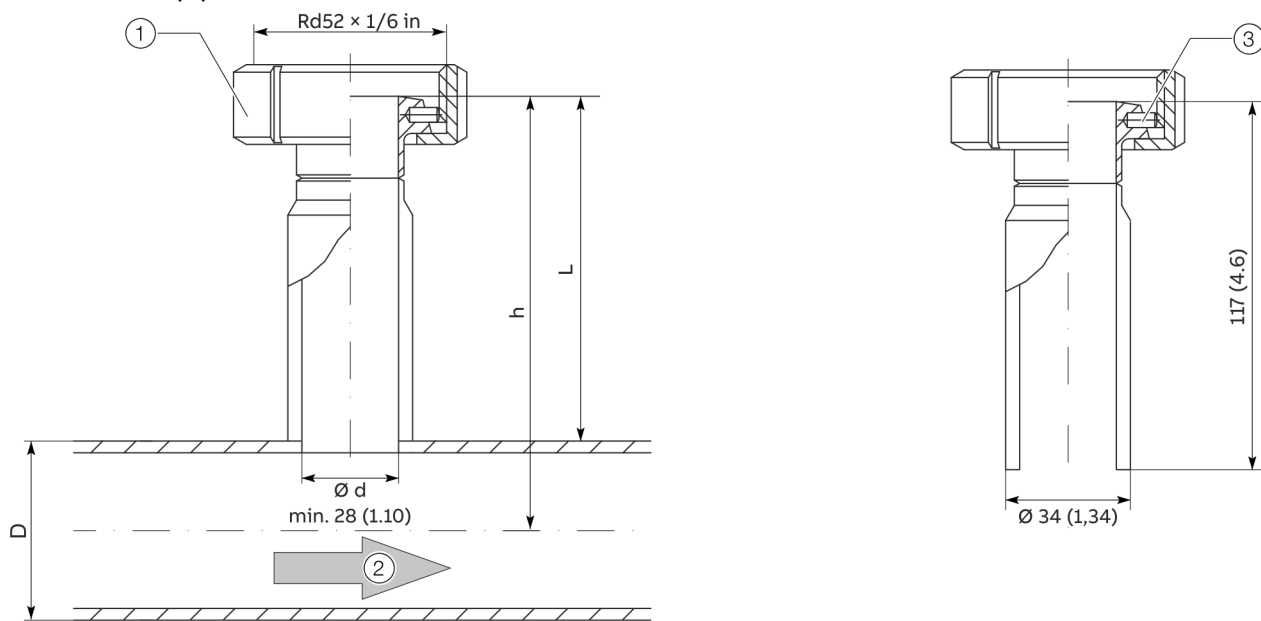
### Note

When mounting the weld-on adapter, observe the following points:

- The welding adapters must be shortened to the dimension L before installation, in accordance with:  $L = h - (1/2 \times \text{Ø D})$ .
- The distance h from the upper edge of the flange to the pipe central axis must be within a tolerance of  $\pm 2 \text{ mm}$  ( $\pm 0.08''$ ).
- Maintain the right angle to the pipe axis (max. tolerance  $\pm 2^\circ$ ).
- The adapter centering pin must be aligned with the pipe axis in the flow direction (outflow side, behind the measuring point).

**Welding adapter with threaded connection in accordance with DIN 11851**

Dimensions in mm (in)



① Union nut

② Flow direction

③ Centering pin

Figure 24: Dimensions in mm (in)

**Note**

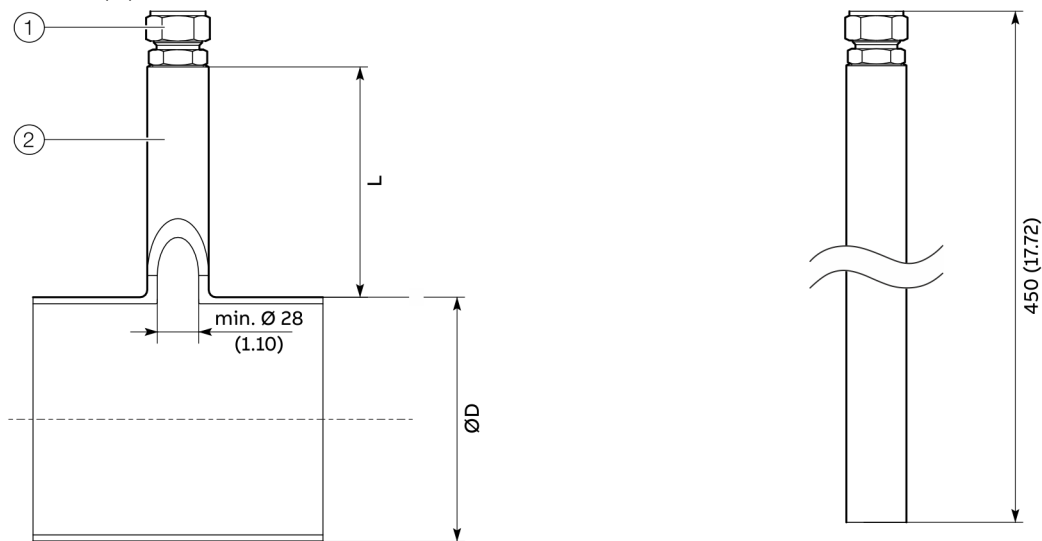
When mounting the weld-on adapter, observe the following points:

- Always mount the weld-on adapter together with the union nut on the piping. Mounting it at a later time is not possible.
- The welding adapters must be shortened to the dimension L before installation, in accordance with:  $L = h - (1/2 \times \text{Ø } D)$ .
- The distance h from the upper edge of the adapter to the pipe central axis must be within a tolerance of  $\pm 2$  mm ( $\pm 0.08$  inch).
- Maintain the right angle to the pipe axis (max. tolerance  $\pm 2^\circ$ ).
- Observe the thickness of pipeline wall and the degree of shrinkage when welding on.
- The adapter centering pin must be aligned with the pipe axis in the flow direction (outflow side, behind the measuring point).
- Once welding is complete, there must be a passage of at least 28 mm (1.10 inch) free for the purpose of mounting the sensor (drill to create if necessary)

## ... Dimensions

### Welding adapter with compression fitting

All dimensions in mm (in)



① Compression fitting

② Welding tube for the compression fitting

Figure 25: Welding adapter with compression fitting

| h – sensor length | h3 – installation length | $L = h3 - (\frac{1}{2} \times \text{ØD})$ | Ø D – outer pipe diameter*       |
|-------------------|--------------------------|---|----------------------------------|
| 263 (10.35)       | 244 (9.61)               | to be calculated                          | ≥ 80 to 350 (≥ 3.24 to 13.78)    |
| 425 (16.73)       | 406 (15.98)              |   | > 350 to 700 (> 13.78 to 27.56)  |
| 775 (30.51)       | 756 (29.76)              |   | > 700 to 1400 (> 27.56 to 55.12) |

Table 1: Dimensions of welding adapter with compression fitting

\* The limitation of the maximum pipe diameter only applies for installations with thermal sensor elements in the middle of the pipe. In case of larger or non-round cross-sections, a non-centered position of the thermal sensor elements in the piping is considered in the calibration.

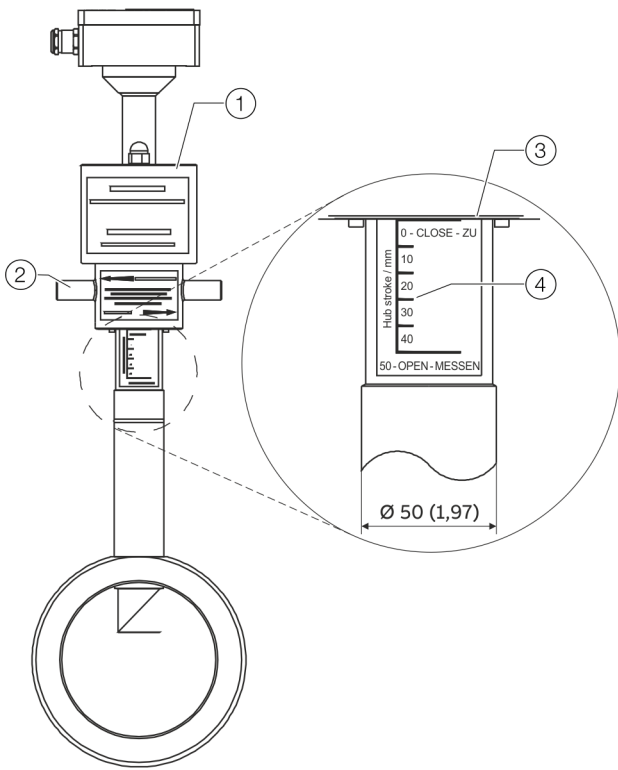
### Note

When installing the adapter tubes for compression fittings, observe the following points:

- The welding adapter tubes should be shortened to dimension L before installation, in accordance with:  $L = h3 - (\frac{1}{2} \times \text{ØD})$
- It is imperative that you maintain a right angle to the longitudinal and transversal axes of the meter tube (maximum tolerance  $\pm 2^\circ$ ).
- Make sure that after welding the free opening of the adapter tube is at least  $\text{Ø}28$  mm (1.10 in).

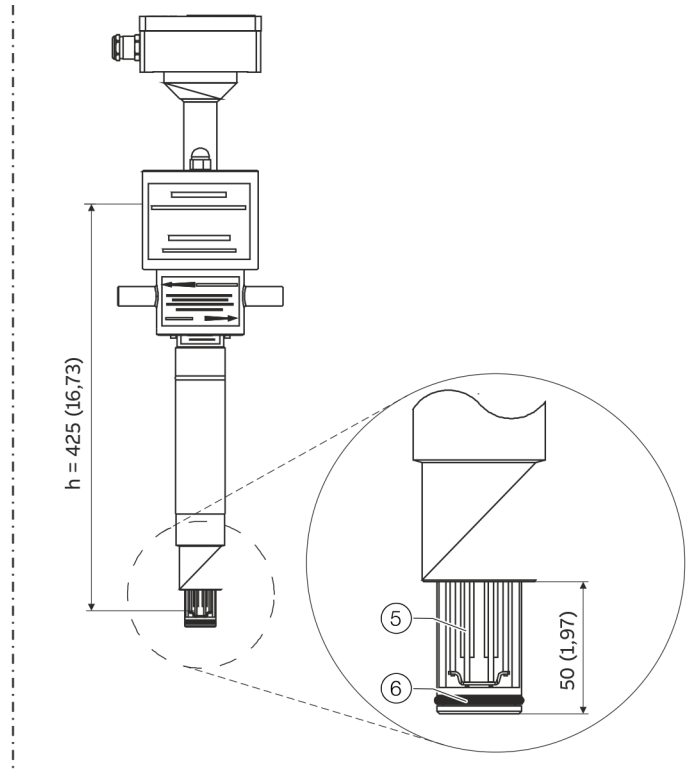
**Integrated hot tap fitting**

Dimensions in mm (in)



**Wafer type design**

- ① Cover plate for flange DN 25 (1 in)
- ② Union nut
- ③ Lower edge of union nut



**Welding adapter design**

- ④ Display sensor element position, stroke 50 mm (1.97 in)
- ⑤ Sensor element
- ⑥ O-ring

Figure 26: Hot tap fitting

| Nominal diameter                                     | h – sensor length |   |
|--|-------------------|---|
|  | Wafer type design | Welding design                                |
| DN 50, DN 65, DN 80 (2 in, 3 in)                     | 263 mm (10.35 in) | 425 mm (16.73 in) from nominal diameter DN 80 |
| DN 100, DN 125, DN 150, DN 200<br>(4 in, 6 in, 8 in) | 425 mm (16.73 in) |   |

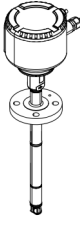
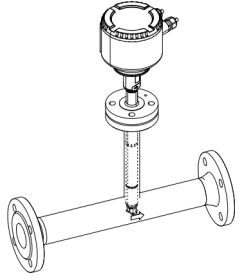

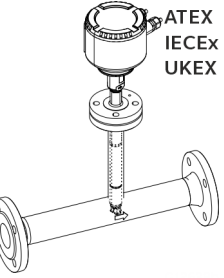

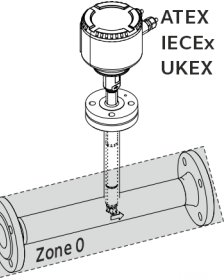
## Use in potentially explosive atmospheres

### Note

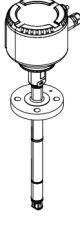
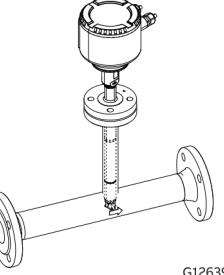
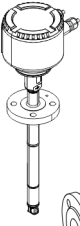
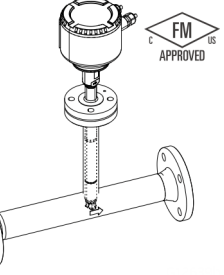
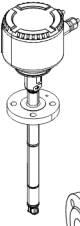
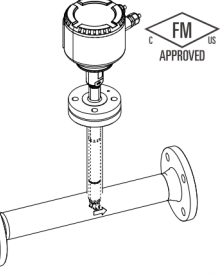
Further information on the approval of devices for use in potentially explosive atmospheres can be found in the type examination certificates or the relevant certificates at [www.abb.com/flow](http://www.abb.com/flow).

### Device overview

#### ATEX, IECEx and UKEX

|  | Standard / No explosion protection  |   | Zones 2, 22   |  | Zone 1, 21 (Zone 0)   |   |
|--|---|---|---|--|---|---|
| Model number   | FMT2xx Y0   |   | FMT2xx A2, U2   |  | FMT2xx A1, A3, U1, U4   |   |
| <ul style="list-style-type: none"> <li>Standard</li> <li>Zone 2, 22</li> <li>Zone 1, 21</li> <li>Zone 0</li> </ul> |  |  |  |  |  |  |

#### cFMus

|  | Standard / No explosion protection  |   | Class I Div. 2 Zone 2, 22   |  | Class I Div. 1 Zone 1, 21   |   |
|--|---|---|---|--|---|---|
| Model number   | FMT2xx Y0   |   | FMT2xx F2   |  | FMT2xx F1   |   |
| <ul style="list-style-type: none"> <li>Standard</li> <li>Class I Div. 2</li> <li>Class I Div. 1</li> <li>Zone 2, 22</li> <li>Zone 1, 21</li> </ul> |  |  |  |  |  |  |

G12639a

## Ex marking: flowmeter

### Note

- A specific marking applies, depending on the design.
- ABB reserves the right to modify the Ex-marking. Refer to the name plate for the exact marking.

### ATEX, IECEx and UKEX

#### Model FMT2xx-A2, U2... in Zone 2, 22

|   |                    |
|---|--------------------|
| Certificate (Atex)                              | FM19ATEX0178X      |
| Certificate (IECEX)                             | IECEX FMG 19.0025X |
| Certificate (UKEX)                              | FM21UKEX0136X      |
| II 3G Ex ec mc IIC T6...T2 Gc                   |                    |
| II 3D Ex tc IIIC T85°C...T <sub>medium</sub> Dc |                    |

#### Model FMT2xx-A1, U1... in Zone 1, 21

|  |                    |
|--|--------------------|
| Certificate (Atex)                                 | FM19ATEX0177X      |
| Certificate (IECEX)                                | IECEX FMG 19.0025X |
| Certificate (UKEX)                                 | FM21UKEX0135X      |
| II 2G Ex eb ia mb IIC T6...T2 Gb                   |                    |
| II 2G Ex ia IIC T6...T1 Gb                         |                    |
| II 2D Ex ia tb IIIC T85°C...T <sub>medium</sub> Db |                    |
| permitted supply short-circuit current: 35A        |                    |

#### Model FMT2xx-A3, U4... in Zone 0, 1, 21

|  |                    |
|--|--------------------|
| Certificate (Atex)                                 | FM19ATEX0177X      |
| Certificate (IECEX)                                | IECEX FMG 19.0025X |
| Certificate (UKEX)                                 | FM21UKEX0135X      |
| II 1/2 G Ex eb ia mb IIC T6...T2 Ga/Gb             |                    |
| II 1G Ex ia IIC T6...T1 Ga                         |                    |
| II 2D Ex ia tb IIIC T85°C...T <sub>medium</sub> Db |                    |
| permitted supply short-circuit current: 35A        |                    |

### cFMus

#### Designation for model FMT2xx-F2... in Division 2

|  |             |
|--|-------------|
| <b>FM (marking for US)</b>                     |             |
| Certificate                                    | FM19US0110X |
| NI: CL I, Div 2, GPS ABCD, T6...T2             |             |
| NI: CL II,III Div 2, GPS EFG, T6...T3B         |             |
| DIP: CL II, Div 1, GPS EFG, T6...T3B           |             |
| DIP: CL III, Div 1,2, T6...T3B                 |             |
| CL I, ZN 2, AEx ec IIC T6...T2 Gc              |             |
| ZN 21, AEx tb IIIC T85°C...T165°C Db           |             |
| See handbook for temperature class information |             |

#### FM (marking for Canada)

|  |             |
|--|-------------|
| Certificate                            | FM19CA0055X |
| NI: CL I, Div 2, GPS ABCD, T6...T2     |             |
| NI: CL II,III Div 2, GPS EFG, T6...T3B |             |
| DIP: CL II, Div 1, GPS EFG, T6...T3B   |             |
| DIP: CL III, Div 1,2, T6...T3B         |             |
| CL I, ZN 2, Ex ec IIC T6...T2 Gc       |             |
| Ex tb IIIC T85°C...T165°C Db           |             |
| ANSI/ISA 12.27.01: Dual Seal           |             |

#### Designation for model FMT2xx-F1... in Division 1

|   |             |
|---|-------------|
| <b>FM (marking for US)</b>  |             |
| Certificate   | FM19US0110X |
| XP-IS: CL I, Div 1, GPS BCD, T6...T2  |             |
| DIP: CL II,III, Div 1, GPS EFG, T6...T3B  |             |
| CL I, ZN 1, AEx db ia IIB+H2 T6...T2 Ga/Gb  |             |
| ZN21, AEx ia tb IIIC T85°C...T165°C Db  |             |
| Permitted supply short-circuit current: 35A   |             |
| See handbook for temperature class information and installation drawing 3kxf000094G0009 |             |
| <b>FM (marking for Canada)</b>  |             |
| Certificate   | FM19CA0055X |
| XP-IS: CL I, Div 1, GPS BCD, T6...T2  |             |
| DIP: CL II,III, Div 1, GPS EFG, T6...T3B  |             |
| CL I, ZN 1, Ex db ia IIB+H2 T6...T2 Ga/Gb   |             |
| Ex ia tb IIIC T85°C...T165°C Db   |             |
| IN-/OUTPUTS: U-rated=30V  |             |
| Ex ia INTRINSICALLY SAFE  |             |
| SECURITE INTRINSEQUE  |             |

## ... Use in potentially explosive atmospheres

### Ex marking pipe components and integrated hot tap fitting

#### Note

- A specific marking applies, depending on the design.
- ABB reserves the right to modify the Ex-marking. Refer to the name plate for the exact marking.

#### ATEX, IECEx and UKEX

| Model number for use in Zone 2, 22  | Ex marking   | Certificate  |
|---|--|--|
| <b>FMT091_</b> (j=SCA, SCB, SCC)<br>SensyMaster FMT091 pipe component type 1, wafer type<br>Optional with ball valve or integrated hot tap fitting                | II 3 G Ex h IIC T6...T3 Gc<br>II 3 D Ex h IIIC T85°C ... T150°C Dc | <b>ATEX:</b><br>FM19ATEX0178X<br><b>IECEX:</b><br>IECEX FMG 19.0025X |
| <b>FMT092_</b> (j=SCA, SCB, SCC)<br>SensyMaster FMT092 pipe component type 2, partial measuring section<br>Optional with ball valve or integrated hot tap fitting |  | <b>UKEX:</b><br>FM21UKEX0136X  |
| <b>FMT094_</b> (j=SCA, SCD)<br>SensyMaster FMT094 pipe component type 4, partial measuring section<br>Optional with ball valve or integrated hot tap fitting      |  |  |

| Model number for use in Zone 0/1, 21   | Ex marking   | Certificate  |
|--|--|--|
| <b>FMT091_</b> (j=SCA, SCB, SCC)<br>SensyMaster FMT091 pipe component type 1, wafer type   | II 2 G Ex h IIC T6...T3 Gb<br>II 2 D Ex h IIIC T85°C ... T150°C Db | <b>ATEX:</b><br>FM19ATEX0177X<br><b>IECEX:</b><br>IECEX FMG 19.0025X |
| <b>FMT092_</b> (j=SCA, SCB, SCC)<br>SensyMaster FMT092 pipe component type 2, partial measuring section  |  | <b>UKEX:</b><br>FM21UKEX0135X  |
| <b>FMT094_</b> (j=SCA, SCD)<br>SensyMaster FMT094 pipe component type 4, partial measuring section<br>Optional with ball valve or integrated hot tap fitting |  |  |

#### Notice regarding the integrated hot tap fitting

The integrated hot tap fitting has been designed in accordance with the DIN EN 80079-36 and DIN EN 80079-37 standards and the 'c – constructional safety' type of protection.

#### cFMus

The pipe components do not have any marking in accordance with cFMus. The pipe components can be used in accordance with cFMus in the following areas:

- Div. 1
- Div. 2, Zone 1, 2, 21



## Temperature data

### Temperature resistance for the connecting cable

The temperature at the cable entries of the device is dependent on the measuring medium temperature  $T_{\text{medium}}$  and the ambient temperature  $T_{\text{amb.}}$ .

For the electrical connection of the device, use only cables with sufficient temperature resistance in accordance with the following table.

| $T_{\text{amb.}}$                            | Temperature resistance for the connecting cable |
|--|---|
| $\leq 50\text{ °C}$ ( $\leq 122\text{ °F}$ ) | $\geq 70\text{ °C}$ ( $\geq 158\text{ °F}$ )    |
| $\leq 60\text{ °C}$ ( $\leq 140\text{ °F}$ ) | $\geq 80\text{ °C}$ ( $\geq 176\text{ °F}$ )    |
| $\leq 70\text{ °C}$ ( $\leq 158\text{ °F}$ ) | $\geq 90\text{ °C}$ ( $\geq 194\text{ °F}$ )    |

From an ambient temperature of  $T_{\text{amb.}} \geq 60\text{ °C}$  ( $\geq 140\text{ °F}$ ), the wires in the connection boxes with the enclosed silicone hoses need to be additionally insulated.

### Note

The signal cable supplied by ABB can be used without restrictions up to an ambient temperature of  $\leq 80\text{ °C}$  ( $\leq 176\text{ °F}$ ).

### Environmental and process conditions for model FMT2xx...

|  |  |
|--|--|
| Ambient temperature $T_{\text{amb.}}$            | -20 to 70 °C (-4 to 158 °F)<br>-40 to 70 °C (-40 to 158 °F)*   |
| Measuring medium temperature $T_{\text{medium}}$ | -20 to 150 °C (-4 to 302 °F)<br>-40 to 150 °C (-40 to 302 °F)* |
| IP rating / NEMA rating                          | IP 65, IP 67 / NEMA 4X, Type 4X                                |

\* Low temperature design (optional)

## ... Use in potentially explosive atmospheres

### Measuring medium temperature (Ex data) for model FMT2x0-A1... in Zone 1, Zone 21

The table shows the maximum permissible measuring medium temperature as a function of ambient temperature and temperature class. The permissible measuring medium temperature specified in **Environmental and process conditions for model FMT2xx...** on page 33 must not be up-scaled!

| Ambient temperature T <sub>amb.</sub> | Temperature class |                 |                |                |    |    |
|---------------------------------------|-------------------|-----------------|----------------|----------------|----|----|
|                                       | T1                | T2              | T3             | T4             | T5 | T6 |
| -40 °C to 40 °C<br>(-40 °F to 104 °F) | 280 °C (536 °F)   | 185 °C (365 °F) | 90 °C (194 °F) | 90 °C (194 °F) | —  | —  |
| -40 °C to 50 °C<br>(-40 °F to 122 °F) | 280 °C (536 °F)   | 185 °C (365 °F) | 90 °C (194 °F) | 90 °C (194 °F) | —  | —  |
| -40 °C to 60 °C<br>(-40 °F to 140 °F) | 280 °C (536 °F)   | 185 °C (365 °F) | 90 °C (194 °F) | 90 °C (194 °F) | —  | —  |
| -40 °C to 70 °C<br>(-40 °F to 158 °F) | 280 °C (536 °F)   | 185 °C (365 °F) | 90 °C (194 °F) | 90 °C (194 °F) | —  | —  |

### Measuring medium temperature (Ex data) for model FMT2x0-A2... in Zone 2, Zone 22

The table shows the maximum permissible measuring medium temperature as a function of ambient temperature and temperature class. The permissible measuring medium temperature specified in **Environmental and process conditions for model FMT2xx...** on page 33 must not be up-scaled!

| Ambient temperature T <sub>amb.</sub> | Temperature class |                 |                 |                 |                |                |
|---------------------------------------|-------------------|-----------------|-----------------|-----------------|----------------|----------------|
|                                       | T1                | T2              | T3              | T4              | T5             | T6             |
| -40 °C to 40 °C<br>(-40 °F to 104 °F) | 300 °C (572 °F)   | 290 °C (554 °F) | 195 °C (383 °F) | 130 °C (266 °F) | 95 °C (203 °F) | 80 °C (176 °F) |
| -40 °C to 50 °C<br>(-40 °F to 122 °F) | 300 °C (572 °F)   | 290 °C (554 °F) | 195 °C (383 °F) | 130 °C (266 °F) | 95 °C (203 °F) | —              |
| -40 °C to 60 °C<br>(-40 °F to 140 °F) | 300 °C (572 °F)   | 290 °C (554 °F) | 195 °C (383 °F) | 130 °C (266 °F) | —              | —              |
| -40 °C to 70 °C<br>(-40 °F to 158 °F) | 300 °C (572 °F)   | 290 °C (554 °F) | 195 °C (383 °F) | 130 °C (266 °F) | —              | —              |

**Measuring medium temperature (Ex data) for model FMT2x0-F1... in Class I Division 1 and Class II Division 1**

The table shows the maximum permissible measuring medium temperature as a function of ambient temperature and temperature class. The permissible measuring medium temperature specified in **Environmental and process conditions for model FMT2xx...** on page 33 must not be up-scaled!

| Ambient temperature $T_{amb}$         | Temperature class |                 |                |                |    |    |
|---------------------------------------|-------------------|-----------------|----------------|----------------|----|----|
|                                       | T1                | T2              | T3             | T4             | T5 | T6 |
| -40 °C to 40 °C<br>(-40 °F to 104 °F) | 280 °C (536 °F)   | 185 °C (365 °F) | 90 °C (194 °F) | 90 °C (194 °F) | —  | —  |
| -40 °C to 50 °C<br>(-40 °F to 122 °F) | 280 °C (536 °F)   | 185 °C (365 °F) | 90 °C (194 °F) | 90 °C (194 °F) | —  | —  |
| -40 °C to 60 °C<br>(-40 °F to 140 °F) | 280 °C (536 °F)   | 185 °C (365 °F) | 90 °C (194 °F) | 90 °C (194 °F) | —  | —  |
| -40 °C to 70 °C<br>(-40 °F to 158 °F) | 280 °C (536 °F)   | 185 °C (365 °F) | 90 °C (194 °F) | 90 °C (194 °F) | —  | —  |

**Measuring medium temperature (Ex data) for model FMT2x0-F1... in Class I Division 2 and Class II Division 2**

The table shows the maximum permissible measuring medium temperature as a function of ambient temperature and temperature class. The permissible measuring medium temperature specified in **Environmental and process conditions for model FMT2xx...** on page 33 must not be up-scaled!

| Ambient temperature $T_{amb}$         | Temperature class |                 |                 |                 |                |                |
|---------------------------------------|-------------------|-----------------|-----------------|-----------------|----------------|----------------|
|                                       | T1                | T2              | T3              | T4              | T5             | T6             |
| -40 °C to 40 °C<br>(-40 °F to 104 °F) | 300 °C (572 °F)   | 290 °C (554 °F) | 195 °C (383 °F) | 130 °C (266 °F) | 95 °C (203 °F) | 80 °C (176 °F) |
| -40 °C to 50 °C<br>(-40 °F to 122 °F) | 300 °C (572 °F)   | 290 °C (554 °F) | 195 °C (383 °F) | 130 °C (266 °F) | 95 °C (203 °F) | —              |
| -40 °C to 60 °C<br>(-40 °F to 140 °F) | 300 °C (572 °F)   | 290 °C (554 °F) | 195 °C (383 °F) | 130 °C (266 °F) | —              | —              |
| -40 °C to 70 °C<br>(-40 °F to 158 °F) | 300 °C (572 °F)   | 290 °C (554 °F) | 195 °C (383 °F) | 130 °C (266 °F) | —              | —              |

## ... Use in potentially explosive atmospheres

### Ambient and process conditions for pipe components and integrated hot tap fitting

|   |  |
|---|--|
| Measuring medium temperature $T_{\text{medium}}$  | Standard: -20 to 150 °C (-4 to 302 °F)   |
| Ambient temperature $T_{\text{amb}}$ for pipe components <b>without</b> ball valve or integrated hot tap fitting. | Standard: -20 to 70 °C (-4 to 158 °F), optional: -40 to 70 °C (-40 to 158 °F)<br>Depending on the selected <b>ambient temperature range (TA3/TA9)</b> of the sensor and O-ring design. |
| Ambient temperature $T_{\text{amb}}$ for pipe components with ball valve or integrated hot tap fitting            | Standard: -20 to 70 °C (-4 to 158 °F)  |

**(Sensor connection options: SCA, SCB, SCD)**

### Measuring medium temperature (Ex data) for pipe components and integrated hot tap fitting

The table shows the maximum permissible measuring medium temperature as a function of ambient temperature and temperature class. The permissible measuring medium temperature specified in the table above must not be up-scaled!

| Ambient temperature $T_{\text{amb}}$  | Options  | Temperature class |                 |                 |                |
|---------------------------------------|--|-------------------|-----------------|-----------------|----------------|
|                                       |  | T3                | T4              | T5              | T6             |
| -20 °C to 70 °C<br>(-4 °F to 158 °F)  | Pipe component <b>without</b> ball valve or integrated hot tap fitting | 150 °C (302 °F)   | 135 °C (275 °F) | 100 °C (212 °F) | 85 °C (185 °F) |
| -40 °C to 70 °C<br>(-40 °F to 158 °F) | Pipe component <b>without</b> ball valve or integrated hot tap fitting | 150 °C (302 °F)   | 135 °C (275 °F) | 100 °C (212 °F) | 85 °C (185 °F) |
| -20 °C to 70 °C<br>(-4 °F to 158 °F)  | Pipe component <b>with</b> ball valve or integrated hot tap fitting    | 150 °C (302 °F)   | 135 °C (275 °F) | 100 °C (212 °F) | 85 °C (185 °F) |

### Integrated hot tap fitting – maximum surface temperature

The maximum surface temperature of the integrated hot tap fitting is 85 °C to 150 °C (185 °F to 302 °F) depending on the measuring medium temperature.

## Electrical data

### Modbus outputs and digital outputs

ATEX/IECEX model: FMT2xx-A1..., FMT2xx-A2..., FMT2xx-A3...

cFMus model: FMT2xx-F1..., FMT2xx-F2...

|                                    | Operating values |            | Type of protection                                 |            |   |            |  |            |            |            |                 |            |
|------------------------------------|------------------|------------|--|------------|---|------------|--|------------|------------|------------|-----------------|------------|
|                                    | (general)        |            | 'Ex ec' / 'NI'<br>(Zone 2, 22)<br>(Div. 2, Zone 2) |            | 'Ex e' / 'XP'<br>(Zone 1, 21)<br>(Div. 1, Zone 1) |            | 'Ex ia' / 'IS'<br>(Zone 1, 21)<br>(Div. 1, Zone 1) |            |            |            |                 |            |
|                                    | $U_N$ [V]        | $I_N$ [mA] | $U_N$ [V]  | $I_N$ [mA] | $U_M$ [V]   | $I_M$ [mA] | $U_O$ [V]  | $I_O$ [mA] | $P_O$ [mW] | $C_O$ [nF] | $C_{O,pa}$ [nF] | $L_O$ [μH] |
| <b>Outputs</b>                     |                  |            |  |            |   |            |  |            |            |            |                 |            |
| <b>Modbus, active</b>              |                  |            |  |            |   |            |  |            |            |            |                 |            |
| Terminals A / B                    | 30               | 30         | 30   | 30         | 30  | 100        | 4,2  | 150        | 150        | 13900      | —               | 20         |
|                                    |                  |            |  |            |   |            | $U_i$ [V]  | $I_i$ [mA] | $P_i$ [mW] | $C_i$ [nF] | $C_{i,pa}$ [nF] | $L_i$ [μH] |
|                                    |                  |            |  |            |   |            | 4,2  | 150        | 150        | 13900      | —               | 20         |
| <b>Digital output DO1, passive</b> |                  |            |  |            |   |            |  |            |            |            |                 |            |
| Terminals 41 / 42                  | 30               | 30         | 30   | 30         | 30  | 100        | 30   | 25         | 187        | 20         | —               | 200        |
| <b>Digital output DO2, passive</b> |                  |            |  |            |   |            |  |            |            |            |                 |            |
| Terminals 51 / 52                  | 30               | 30         | 30   | 30         | 30  | 100        | 30   | 25         | 187        | 20         | —               | 200        |

All outputs are electrically isolated from each other and from the power supply.

Digital outputs DO1 / DO2 are not electrically isolated from each other. Terminals 42 / 52 have the same potential.

### Special connection conditions

#### Note

If the protective earth (PE) is connected in the flowmeter's terminal box, you must ensure that no dangerous potential difference can arise between the protective earth (PE) and the potential equalization (PA) in areas with explosion risk.

#### Note

The safety requirements for intrinsically safe circuits in the EC type examination certificate of the device must be complied with.

The output circuits are designed so that they can be connected to both intrinsically-safe and non-intrinsically-safe circuits.

- Combining intrinsically safe and non-intrinsically safe circuits is not permitted.
- On intrinsically safe circuits, potential equalization should be established along the entire length of the cable used for the signal outputs.
- The rated voltage of the non-intrinsically safe circuits is  $U_M = 30$  V.
- Intrinsic safety is preserved if the rated voltage  $U_M = 30$  V is not up-scaled when connections are established to non-intrinsically safe external circuits.
- The information in **Changing the type of protection** in the operating instruction must be observed when changing the type of protection.

---

## Use in hazardous areas in accordance with EAC TR-CU-012

### Note

- An additional document with information on EAC-Ex certification is available for measuring systems that are used in potentially explosive atmospheres in accordance with EAC TR-CU-012.
- The information on EAC-Ex certification is an integral part of this instruction. As a result, it is crucial that the installation guidelines and connection values it lists are also observed.

The icon on the name plate indicates the following:



Information on EAC-Ex certification is available for free download at the following link. Alternatively simply scan the QR code.



<INF/FMT200/FMT400/EAC-Ex-X8>

## Ordering Information

### Note

For additional information on dependencies and restrictions, and for help on product selection, please refer to the Online ABB Product Selection Assistant (PSA) for flow rate at [abb.com/flow-selector](http://abb.com/flow-selector).

### SensyMaster FMT230

Thermal Mass Flowmeter, for standard OEM applications

| Base model   | FMT230 | XX | XX | X | X  | XX | XX | XX | X  |
|--|--------|----|----|---|----|----|----|----|----|
| SensyMaster FMT230 Thermal Mass Flowmeter  |        |    |    |   |    |    |    |    |    |
| <b>Explosion Protection Certification</b>  |        |    |    |   |    |    |    |    |    |
| Without  |        | Y0 |    |   |    |    |    |    |    |
| ATEX / IECEx (Zone 2 / 21)   |        | A2 |    |   |    |    |    |    |    |
| ATEX / IECEx (Zone 1 / 21)   |        | A1 |    |   |    |    |    |    |    |
| ATEX / IECEx (Zone (0) 1 / 21)   |        | A3 |    |   |    |    |    |    |    |
| cFMus (Class 1 Div. 2 / Zone 2)  |        | F2 |    |   |    |    |    |    |    |
| cFMus (Class 1 Div. 1 / Zone 1)  |        | F1 |    |   |    |    |    |    |    |
| UKEX Zone 2 / 22   |        | U2 |    |   |    |    |    |    |    |
| UKEX Zone 1 / 21   |        | U1 |    |   |    |    |    |    |    |
| UKEX Zone (0) 1 / 21   |        | U4 |    |   |    |    |    |    |    |
| <b>Measuring Medium</b>  |        |    |    |   |    |    |    |    |    |
| Air or other clean gas (One gas component only)  |        |    |    |   | C1 |    |    |    |    |
| Gas mixtures with max. 23.5 Vol% O <sub>2</sub> (eg. Natural gas or Biogas)  |        |    |    |   | C2 |    |    |    |    |
| Oxygen / gas mixtures > 23.5 Vol% O <sub>2</sub> , oil and grease-free, with O2 certificate (max. 150 °C / 302 °F)               |        |    |    |   | P1 |    |    |    |    |
| Ammonia  |        |    |    |   | H3 |    |    |    |    |
| <b>Sensor Element Type / Temperature Range of Measuring Medium</b>   |        |    |    |   |    |    |    |    |    |
| Standard ceramic sensor / Standard range -20 to 150 °C (-4 to 302 °F)  |        |    |    |   | A  |    |    |    |    |
| Ceramic sensor elements / High temperature range -20 to 300 °C (-4 to 572 °F)  |        |    |    |   | B  |    |    |    |    |
| Ceramic sensor elements / Low temperature range -40 to 150 °C (-40 to 302 °F)  |        |    |    |   | E  |    |    |    |    |
| <b>Mounting Length / Flowmeter Sensor Material</b>   |        |    |    |   |    |    |    |    |    |
| 120 mm (4.7 in) / AISI 316Ti SST (1.4571) (DN 25 to DN 125 [1 to 5 in])  |        |    |    |   |    |    |    |    | 1* |
| 263 mm (10.4 in) / AISI 316Ti SST (1.4571) (DN 25 to DN 350 [1 to 14 in])  |        |    |    |   |    |    |    |    | 2* |
| 425 mm (17 in) / AISI 316Ti SST (1.4571) (> DN 350 to DN 700 [> 14 to 28 in])  |        |    |    |   |    |    |    |    | 3* |
| 775 mm (31 in) / AISI 316Ti SST (1.4571) (> DN 700 [> 28 in])  |        |    |    |   |    |    |    |    | 4* |
| <b>Sensor Connection</b>   |        |    |    |   |    |    |    |    |    |
| Flange DN 25, nominal pressure 4 MPa (40 bar, 580 psi)   |        |    |    |   |    |    |    |    | D3 |
| Compression fitting, stainless steel, nominal pressure 2 MPa (20 bar, 290 psi) (-40 to 150 °C (-40 to 302 °F)) (≥ DN80 (≥ 3 in)) |        |    |    |   |    |    |    |    | G2 |
| Thread DIN 11851, nominal pressure 1.6 MPa (16 bar, 232 psi) (-20 to 140 °C (-4 to 284 °F)) (-20 to 140 °C (-4 to 284 °F))       |        |    |    |   |    |    |    |    | F1 |
| <b>Connection Design / Transmitter Housing Type / Transmitter Housing Material / Cable Glands</b>                                |        |    |    |   |    |    |    |    |    |
| Integral / Single compartment / Aluminium / 2 × M20 × 1.5  |        |    |    |   |    |    |    |    | B1 |
| Integral / Single compartment / Aluminium / 2 × NPT ½ in   |        |    |    |   |    |    |    |    | B2 |
| Integral / Single compartment / Stainless Steel / 2 × M20 × 1.5  |        |    |    |   |    |    |    |    | T1 |
| Integral / Single compartment / Stainless Steel / 2 × NPT ½ in   |        |    |    |   |    |    |    |    | T2 |
| <b>Outputs</b>   |        |    |    |   |    |    |    |    |    |
| MODBUS, 2 Digital outputs (passive) (No HART)  |        |    |    |   |    |    |    |    | M2 |
| <b>Power Supply</b>  |        |    |    |   |    |    |    |    |    |
| 24 V DC, +/- 20 %  |        |    |    |   |    |    |    |    | B  |

\* Nominal size ranges when using flanged pipe components or weld-on adapters without ball valve

Continued on next page

## ... Ordering Information

### Additional ordering information SensyMaster FMT230

| Additional ordering information  | XX | XX | XXX | XX | XXX | XX | XX | XXX | XX |
|--|----|----|-----|----|-----|----|----|-----|----|
| SensyMaster FMT230 Thermal Mass Flowmeter  |    |    |     |    |     |    |    |     |    |
| <b>Material Certificates</b>   |    |    |     |    |     |    |    |     |    |
| Material monitoring with inspection certificate 3.1 acc. EN 10204  | C2 |    |     |    |     |    |    |     |    |
| Declaration of compliance with the order 2.1 acc. EN 10204   | C4 |    |     |    |     |    |    |     |    |
| Inspection certificate 3.1 acc. EN 10204 for visual, dimensional and functional test   | C6 |    |     |    |     |    |    |     |    |
| Inspection certificate 3.1 acc. EN 10204 for positive material identification PMI  | CA |    |     |    |     |    |    |     |    |
| Inspection certificate 3.1 acc. EN 10204 for positive material identification PMI with material analysis                                     | C5 |    |     |    |     |    |    |     |    |
| <b>Additional Calibration Certificates</b>   |    |    |     |    |     |    |    |     |    |
| Certificate of DAkkS calibration, 10 points, traceable acc. ISO / IEC 17025 (Former DKD certificate, based on reference conditions with air) | CH |    |     |    |     |    |    |     |    |
| Declaration of compliance for calibration 2.1 acc. EN 10204  | CM |    |     |    |     |    |    |     |    |
| <b>Other Usage Certifications</b>  |    |    |     |    |     |    |    |     |    |
| DVGW Certificate (T <sub>amb</sub> : -20 to 100 °C)  |    |    | CGW |    |     |    |    |     |    |
| UKCA conformity  |    |    | CU1 |    |     |    |    |     |    |
| <b>Documentation Language</b>  |    |    |     |    |     |    |    |     |    |
| German   |    |    |     | M1 |     |    |    |     |    |
| English  |    |    |     | M5 |     |    |    |     |    |
| Western Europe Scandinavia   |    |    |     | MW |     |    |    |     |    |
| Eastern Europe   |    |    |     | ME |     |    |    |     |    |
| <b>Configuration Type</b>  |    |    |     |    |     |    |    |     |    |
| Parameters set to factory default  |    |    |     |    | NC1 |    |    |     |    |
| Parameters set customer specific (e.g. function of the outputs, etc.)  |    |    |     |    | NCC |    |    |     |    |
| <b>Calibration Type</b>  |    |    |     |    |     |    |    |     |    |
| 5-point calibration, standard measuring range, incl. factory certificate   |    |    |     |    |     | R3 |    |     |    |
| 5-point calibration, extended measuring range, incl. factory certificate (non Ex version only)   |    |    |     |    |     | R4 |    |     |    |
| <b>Device Identification Plate</b>   |    |    |     |    |     |    |    |     |    |
| Stainless steel plate with TAG no.   |    |    |     |    |     |    | T1 |     |    |
| Adhesive label with TAG no.  |    |    |     |    |     |    | TC |     |    |
| <b>Ambient Temperature Range</b>   |    |    |     |    |     |    |    |     |    |
| Extended -40 to 70 °C (-40 to 158 °F) (in preparation)   |    |    |     |    |     |    |    | TA9 |    |
| <b>Extended Diagnostic Options</b>   |    |    |     |    |     |    |    |     |    |
| VeriMass Verification Software   |    |    |     |    |     |    |    |     |    |



## SensyMaster FMT250

Thermal Mass Flowmeter, for advanced OEM applications

| Base model   | FMT250 | XX | XX | X | X | XX | XX | XX | X  |
|--|--------|----|----|---|---|----|----|----|----|
| SensyMaster FMT250 Thermal Mass Flowmeter  |        |    |    |   |   |    |    |    |    |
| <b>Explosion Protection Certification</b>  |        |    |    |   |   |    |    |    |    |
| Without  |        | Y0 |    |   |   |    |    |    |    |
| ATEX / IECEx (Zone 2 / 21)   |        | A2 |    |   |   |    |    |    |    |
| ATEX / IECEx (Zone 1 / 21)   |        | A1 |    |   |   |    |    |    |    |
| ATEX / IECEx (Zone (0) 1 / 21)   |        | A3 |    |   |   |    |    |    |    |
| cFMus (Class 1 Div. 2 / Zone 2)  |        | F2 |    |   |   |    |    |    |    |
| cFMus (Class 1 Div. 1 / Zone 1)  |        | F1 |    |   |   |    |    |    |    |
| UKEX Zone 2 / 22   |        | U2 |    |   |   |    |    |    |    |
| UKEX Zone 1 / 21   |        | U1 |    |   |   |    |    |    |    |
| UKEX Zone (0) 1 / 21   |        | U4 |    |   |   |    |    |    |    |
| <b>Measuring Medium</b>  |        |    |    |   |   |    |    |    |    |
| Air or other clean gas (One gas component only)  |        |    |    |   |   |    |    |    | C1 |
| Gas mixtures with max. 23.5 Vol% O <sub>2</sub> (eg. Natural gas or Biogas)  |        |    |    |   |   |    |    |    | C2 |
| Oxygen / gas mixtures > 23.5 Vol% O <sub>2</sub> , oil and grease-free, with O <sub>2</sub> certificate (max. 150 °C / 302 °F)   |        |    |    |   |   |    |    |    | P1 |
| Ammonia  |        |    |    |   |   |    |    |    | H3 |
| <b>Sensor Element Type / Temperature Range of Measuring Medium</b>   |        |    |    |   |   |    |    |    |    |
| Standard ceramic sensor / Standard range -20 to 150 °C (-4 to 302 °F)  |        |    |    |   |   |    |    |    | A  |
| Standard ceramic sensor / High temperature range -20 to 300 °C (-4 to 572 °F)  |        |    |    |   |   |    |    |    | B  |
| Ceramic sensor elements / Low temperature range -40 to 150 °C (-40 to 302 °F)  |        |    |    |   |   |    |    |    | E  |
| <b>Mounting Length / Flowmeter Sensor Material</b>   |        |    |    |   |   |    |    |    |    |
| 120 mm (4.7 in) / AISI 316Ti SST (1.4571) (DN 25 to DN 125 [1 to 5 in])  |        |    |    |   |   |    |    |    | 1* |
| 263 mm (10.4 in) / AISI 316Ti SST (1.4571) (DN 25 to DN 350 [1 to 14 in])  |        |    |    |   |   |    |    |    | 2* |
| 425 mm (17 in) / AISI 316Ti SST (1.4571) (> DN 350 to DN 700 [> 14 to 28 in])  |        |    |    |   |   |    |    |    | 3* |
| 775 mm (31 in) / AISI 316Ti SST (1.4571) (> DN 700 [> 28 in])  |        |    |    |   |   |    |    |    | 4* |
| <b>Sensor Connection</b>   |        |    |    |   |   |    |    |    |    |
| Flange DN 25, nominal pressure 4 MPa (40 bar, 580 psi)   |        |    |    |   |   |    |    |    | D3 |
| Compression fitting, stainless steel, nominal pressure 2 MPa (20 bar, 290 psi) (-40 to 150 °C (-40 to 302 °F)) (≥ DN80 (≥ 3 in)) |        |    |    |   |   |    |    |    | G2 |
| Thread DIN 11851, nominal pressure 1.6 MPa (16 bar, 232 psi) (-20 to 140 °C (-4 to 284 °F)) (-20 to 140 °C (-4 to 284 °F))       |        |    |    |   |   |    |    |    | F1 |
| <b>Connection Design / Transmitter Housing Type / Transmitter Housing Material / Cable Glands</b>                                |        |    |    |   |   |    |    |    |    |
| Integral / Single compartment / Aluminium / 2 × M20 × 1.5  |        |    |    |   |   |    |    |    | B1 |
| Integral / Single compartment / Aluminium / 2 × NPT ½ in   |        |    |    |   |   |    |    |    | B2 |
| Integral / Single compartment / Stainless Steel / 2 × M20 × 1.5  |        |    |    |   |   |    |    |    | T1 |
| Integral / Single compartment / Stainless Steel / 2 × NPT ½ in   |        |    |    |   |   |    |    |    | T2 |
| <b>Outputs</b>   |        |    |    |   |   |    |    |    |    |
| Digital output 1 (passive), MODBUS (No HART)   |        |    |    |   |   |    |    |    | M2 |
| <b>Power Supply</b>  |        |    |    |   |   |    |    |    |    |
| 24 V DC, +/-20 %   |        |    |    |   |   |    |    |    | B  |

\* Nominal size ranges when using flanged pipe components or weld-on adapters without ball valve.

## ... Ordering Information

### Additional ordering information SensyMaster FMT250

| Additional ordering information  | XX | XX | XXX | XX | XXX | XX | XX | XX | XX | XXX | XX |
|--|----|----|-----|----|-----|----|----|----|----|-----|----|
| <b>SensyMaster FMT250 Thermal Mass Flowmeter</b>   |    |    |     |    |     |    |    |    |    |     |    |
| <b>Material Certificates</b>   |    |    |     |    |     |    |    |    |    |     |    |
| Material monitoring with inspection certificate 3.1 acc. EN 10204  | C2 |    |     |    |     |    |    |    |    |     |    |
| Declaration of compliance with the order 2.1 acc. EN 10204   | C4 |    |     |    |     |    |    |    |    |     |    |
| Inspection certificate 3.1 acc. EN 10204 for visual, dimensional and functional test   | C6 |    |     |    |     |    |    |    |    |     |    |
| Inspection certificate 3.1 acc. EN 10204 for positive material identification PMI  | CA |    |     |    |     |    |    |    |    |     |    |
| Inspection certificate 3.1 acc. EN 10204 for positive material identification PMI with material analysis                                     | C5 |    |     |    |     |    |    |    |    |     |    |
| <b>Additional Calibration Certificates</b>   |    |    |     |    |     |    |    |    |    |     |    |
| Certificate of DAKKS calibration, 10 points, traceable acc. ISO / IEC 17025 (Former DKD certificate, based on reference conditions with air) |    | CH |     |    |     |    |    |    |    |     |    |
| Declaration of compliance for calibration 2.1 acc. EN 10204  |    | CM |     |    |     |    |    |    |    |     |    |
| <b>Other Usage Certifications</b>  |    |    |     |    |     |    |    |    |    |     |    |
| DVGW Certificate (T <sub>amb</sub> : -20 to 100°C)   |    |    | CGW |    |     |    |    |    |    |     |    |
| UKCA conformity  |    |    | CU1 |    |     |    |    |    |    |     |    |
| <b>Documentation Language</b>  |    |    |     |    |     |    |    |    |    |     |    |
| German   |    |    |     | M1 |     |    |    |    |    |     |    |
| English  |    |    |     | M5 |     |    |    |    |    |     |    |
| Western Europe Scandinavia   |    |    |     | MW |     |    |    |    |    |     |    |
| Eastern Europe   |    |    |     | ME |     |    |    |    |    |     |    |
| <b>Configuration Type</b>  |    |    |     |    |     |    |    |    |    |     |    |
| Parameters set to factory default  |    |    |     |    | NC1 |    |    |    |    |     |    |
| Parameters set customer specific (e.g. function of the outputs, etc.)  |    |    |     |    | NCC |    |    |    |    |     |    |
| <b>Special Applications</b>  |    |    |     |    |     |    |    |    |    |     |    |
| Filling application  |    |    |     |    |     |    |    | PT |    |     |    |
| <b>Calibration Type</b>  |    |    |     |    |     |    |    |    |    |     |    |
| 7-point calibration, standard measuring range, incl. factory certificate   |    |    |     |    |     |    |    | R2 |    |     |    |
| 7-point calibration, extended measuring range, incl. factory certificate (non Ex version only)   |    |    |     |    |     |    |    | R4 |    |     |    |
| Process gas calibration, up to two gas components, incl. factory certificate   |    |    |     |    |     |    |    | RP |    |     |    |
| Process gas calibration, gas mixtures with more than two gas components, incl. factory certificate   |    |    |     |    |     |    |    | RM |    |     |    |
| <b>Device Identification Plate</b>   |    |    |     |    |     |    |    |    |    |     |    |
| Stainless steel plate with TAG no.   |    |    |     |    |     |    |    |    | T1 |     |    |
| Adhesive label with TAG no.  |    |    |     |    |     |    |    |    | TC |     |    |
| <b>Ambient Temperature Range</b>   |    |    |     |    |     |    |    |    |    |     |    |
| Extended -40 to 70 °C (-40 to 158 °F) (in preparation)   |    |    |     |    |     |    |    |    |    | TA9 |    |
| <b>Extended Diagnostic Options</b>   |    |    |     |    |     |    |    |    |    |     |    |
| VeriMass Verification Software   |    |    |     |    |     |    |    |    |    |     |    |

### SensyMaster FMT091 Pipe component / Wafer Design (Type 1)

| Base model   | FMT091 | X | XXX | XX | XX | XX | XX | XX |
|--|--------|---|-----|----|----|----|----|----|
| SensyMaster FMT091 Pipe component / Wafer Design (Type 1)  |        |   |     |    |    |    |    |    |
| <b>Design</b>  |        |   |     |    |    |    |    |    |
| Standard   |        | S |     |    |    |    |    |    |
| <b>Nominal Diameter</b>  |        |   |     |    |    |    |    |    |
| DN 40 (1½ in)  |        |   | 040 |    |    |    |    |    |
| DN 50 (2 in)   |        |   | 050 |    |    |    |    |    |
| DN 65 (2½ in)  |        |   | 065 |    |    |    |    |    |
| DN 80 (3 in)   |        |   | 080 |    |    |    |    |    |
| DN 100 (4 in)  |        |   | 100 |    |    |    |    |    |
| DN 125 (5 in)  |        |   | 125 |    |    |    |    |    |
| DN 150 (6 in)  |        |   | 150 |    |    |    |    |    |
| DN 200 (8 in)  |        |   | 200 |    |    |    |    |    |
| <b>Process Connection</b>  |        |   |     |    |    |    |    |    |
| Flanges DIN PN 40  |        |   |     |    | D4 |    |    |    |
| Flanges ANSI / ASME B16.5 Class 150, Schedule 40 S   |        |   |     |    | A1 |    |    |    |
| Flanges ANSI / ASME B16.5 Class 300, Schedule 40 S   |        |   |     |    | A3 |    |    |    |
| <b>Sensor Connection</b>   |        |   |     |    |    |    |    |    |
| Flange DN 25, nominal pressure 4 MPa (40 bar, 580 psi) with centering pin  |        |   |     |    |    | D3 |    |    |
| <b>Measuring Medium</b>  |        |   |     |    |    |    |    |    |
| Air or other clean gas (only one gas type)   |        |   |     |    |    |    | C1 |    |
| Gas mixtures with max. 23.5 Vol% O <sub>2</sub> (e.g. natural gas or biogas)   |        |   |     |    |    |    | C2 |    |
| Oxygen / gas mixtures > 23.5 Vol% O <sub>2</sub> , oil and grease-free, with O <sub>2</sub> certificate (max. 150 °C / 302 °F) |        |   |     |    |    |    | P1 |    |
| Ammonia  |        |   |     |    |    |    | H3 |    |
| <b>Pipe Material</b>   |        |   |     |    |    |    |    |    |
| Stainless steel AISI 316Ti (1.4571)  |        |   |     |    |    |    |    | S2 |
| <b>Mounting Length of the Sensor</b>   |        |   |     |    |    |    |    |    |
| 263 mm (10.4 in)   |        |   |     |    |    |    |    | L2 |
| 425 mm (17 in)   |        |   |     |    |    |    |    | L3 |

Continued on next page...

## ... Ordering Information

### Additional ordering information

| Additional ordering information  | XXX     | XXX | XX  |
|--|---------|-----|-----|
| SensyMaster FMT091 Pipe component / Wafer Design (Type 1)  |         |     |     |
| <b>Sensor Connection Options</b>   |         |     |     |
| With ball valve (max. 150 °C / 302 °F)   | SCA* ** |     |     |
| With integrated hot-tap fitting, for pipe component DN 50 to DN 80 (-20 to 150°C / -4 to 302°F)          | SCB***  |     |     |
| With integrated hot-tap fitting, for pipe component DN 100 to DN 200 (-20 to 150°C / -4 to 302°F)        | SCC***  |     |     |
| <b>Sensor Connection Accessories</b>   |         |     |     |
| DN 25 blind flange to close flowmeter sensor connection, material stainless steel AISI 316Ti (1.4571)    |         | SBA |     |
| <b>Certificates</b>  |         |     |     |
| Material monitoring with inspection certificate 3.1 acc. EN 10204  |         |     | C2  |
| Declaration of compliance with the order 2.1 acc. EN 10204   |         |     | C4  |
| Inspection certificate 3.1 acc. EN 10204 for visual, dimensional and functional test                     |         |     | C6  |
| Inspection certificate 3.1 acc. EN 10204 for positive material identification PMI                        |         |     | CA  |
| Inspection certificate 3.1 acc. EN 10204 for positive material identification PMI with material analysis |         |     | C5  |
| Pressure test acc. AD2000  |         |     | CB  |
| <b>Other Usage Certifications</b>  |         |     |     |
| DVGW Certificate (T <sub>amb</sub> : -20 to 100°C)   |         |     | CGW |
| UKCA conformity  |         |     | CU1 |

\* Correct sensor length: For pipe component DN 40 to DN 100: h = 263 mm, from DN 125: h = 425 mm.

\*\* Suitable for use in Zone 2 / Div. 2.

\*\*\* Suitable for use in Zone 1, Zone 2 (not Zone 0) / Div. 1, Div. 2.

## SensyMaster FMT092 Pipe component, partial measuring section (type 2)

Max. 1,6 MPa (16 bar, 232 psi)

| Base model   | FMT092 | X | XXX | XX | XX | XX | XX | XX |
|--|--------|---|-----|----|----|----|----|----|
| SensyMaster FMT092 Pipe component, partial measuring section (type 2)  |        |   |     |    |    |    |    |    |
| <b>Design</b>  |        |   |     |    |    |    |    |    |
| Standard   |        | S |     |    |    |    |    |    |
| Integrated flow straighteners  |        | F |     |    |    |    |    |    |
| <b>Nominal Diameter</b>  |        |   |     |    |    |    |    |    |
| DN 25 (1 in)   |        |   | 025 |    |    |    |    |    |
| DN 40 (1½ in)  |        |   | 040 |    |    |    |    |    |
| DN 50 (2 in)   |        |   | 050 |    |    |    |    |    |
| DN 65 (2½ in)  |        |   | 065 |    |    |    |    |    |
| DN 80 (3 in)   |        |   | 080 |    |    |    |    |    |
| DN 100 (4 in)  |        |   | 100 |    |    |    |    |    |
| DN 125 (5 in)  |        |   | 125 |    |    |    |    |    |
| DN 150 (6 in)  |        |   | 150 |    |    |    |    |    |
| DN 200 (8 in)  |        |   | 200 |    |    |    |    |    |
| <b>Process Connection</b>  |        |   |     |    |    |    |    |    |
| Flanges DIN PN 40  |        |   |     |    |    | D4 |    |    |
| Flanges ANSI / ASME B16.5 Class 150, Schedule 40 S   |        |   |     |    |    | A1 |    |    |
| Flanges ANSI / ASME B16.5 Class 300, Schedule 40 S   |        |   |     |    |    | A3 |    |    |
| R-External thread 1.6 MPa (16 bar, 232 psi)  |        |   |     |    |    | N6 |    |    |
| <b>Sensor Connection</b>   |        |   |     |    |    |    |    |    |
| Flange DN 25, nominal pressure 4 MPa (40 bar, 580 psi) with centering pin  |        |   |     |    |    |    | D3 |    |
| Thread DIN 11851, nominal pressure 1.6 MPa (16 bar, 232 psi) with centering pin  |        |   |     |    |    |    | F1 |    |
| <b>Measuring Medium</b>  |        |   |     |    |    |    |    |    |
| Air or other clean gas (only one type of gas)  |        |   |     |    |    |    | C1 |    |
| Gas mixtures with max. 23.5 Vol% O <sub>2</sub> (e.g. natural gas or biogas)   |        |   |     |    |    |    | C2 |    |
| Oxygen / gas mixtures > 23.5 Vol% O <sub>2</sub> , oil and grease-free, with O <sub>2</sub> certificate (max. 150 °C / 302 °F) |        |   |     |    |    |    | P1 |    |
| Ammonia  |        |   |     |    |    |    | H3 |    |
| <b>Pipe Material</b>   |        |   |     |    |    |    |    |    |
| Stainless steel AISI 316Ti (1.4571)  |        |   |     |    |    |    |    | S2 |
| Steel S 235 (1.0037) galvanized  |        |   |     |    |    |    |    | S3 |
| <b>Mounting Length of the Sensor</b>   |        |   |     |    |    |    |    |    |
| 120 mm (4.7 in)  |        |   |     |    |    |    |    | L1 |
| 263 mm (10.4 in)   |        |   |     |    |    |    |    | L2 |

Continued on next page...

## ... Ordering Information

### Additional ordering information

| Additional ordering information   | XXX     | XXX | XX  |
|---|---------|-----|-----|
| SensyMaster FMT092 Pipe component, partial measuring section (type 2)   |         |     |     |
| <b>Sensor Connection Options</b>  |         |     |     |
| With ball valve (max. 150 °C / 302 °F)  | SCA* ** |     |     |
| With integrated hot-tap fitting, for pipe component DN 50 to DN 80 (-20 to 150°C / -4 to 302°F)                               | SCB***  |     |     |
| <b>Sensor Connection Accessories</b>  |         |     |     |
| DN 25 blind flange to close flowmeter sensor connection, material stainless steel AISI 316Ti (1.4571)                         |         | SBA |     |
| Blind screw connection for Thread DIN 11851, to close flowmeter sensor connection, material stainless steel AISI 304 (1.4301) |         | SBB |     |
| <b>Certificates</b>   |         |     |     |
| Material monitoring with inspection certificate 3.1 acc. EN 10204   |         |     | C2  |
| Declaration of compliance with the order 2.1 acc. EN 10204  |         |     | C4  |
| Inspection certificate 3.1 acc. EN 10204 for visual, dimensional and functional test  |         |     | C6  |
| Inspection certificate 3.1 acc. EN 10204 for positive material identification PMI   |         |     | CA  |
| Inspection certificate 3.1 acc. EN 10204 for positive material identification PMI with material analysis                      |         |     | C5  |
| <b>Other Usage Certifications</b>   |         |     |     |
| DVGW Certificate (T <sub>amb</sub> : -20 to 100°C)  |         |     | CGW |
| UKCA conformity   |         |     | CU1 |

\* Correct sensor length: For pipe component DN 50 to DN 100: h = 263 mm, from DN 125: h = 425 mm.

\*\* Suitable for use in Zone 2 / Div. 2.

\*\*\* Suitable for use in Zone 1, Zone 2 (not Zone 0) / Div. 1, Div. 2.

### SensyMaster FMT094 Pipe component, weld-on adapter

| Base model  | FMT094 | X | XXX | XX | XX | XX | XX | XX |
|---|--------|---|-----|----|----|----|----|----|
| SensyMaster FMT094 Pipe component, weld-on adapter  |        |   |     |    |    |    |    |    |
| <b>Design</b>   |        |   |     |    |    |    |    |    |
| Standard  |        |   |     |    |    |    |    |    |
| S   |        |   |     |    |    |    |    |    |
| <b>Nominal Diameter</b>   |        |   |     |    |    |    |    |    |
| Selection for weld-on adapter   |        |   |     |    |    |    |    |    |
| 000   |        |   |     |    |    |    |    |    |
| <b>Process Connection</b>   |        |   |     |    |    |    |    |    |
| Selection for weld-on adapter   |        |   |     |    |    |    |    |    |
| W2  |        |   |     |    |    |    |    |    |
| <b>Sensor Connection</b>  |        |   |     |    |    |    |    |    |
| Flange DN 25, nominal pressure 4 MPa (40 bar, 580 psi) with centering pin   |        |   |     |    |    |    |    |    |
| D3  |        |   |     |    |    |    |    |    |
| Compression fitting, stainless steel, nominal pressure 2 MPa (20 bar, 290 psi)  |        |   |     |    |    |    |    |    |
| G2  |        |   |     |    |    |    |    |    |
| Thread DIN 11851, nominal pressure 1.6 MPa (16 bar, 232 psi) with centering pin   |        |   |     |    |    |    |    |    |
| F1  |        |   |     |    |    |    |    |    |
| <b>Measuring Medium</b>   |        |   |     |    |    |    |    |    |
| Air or other clean gas (only one gas type)  |        |   |     |    |    |    |    |    |
| C1  |        |   |     |    |    |    |    |    |
| Gas mixtures with max. 23.5 Vol% O <sub>2</sub> (e.g. natural gas or biogas)  |        |   |     |    |    |    |    |    |
| C2  |        |   |     |    |    |    |    |    |
| Oxygen / gas mixtures > 23.5 Vol% O <sub>2</sub> , oil and grease-free, with O <sub>2</sub> certificate<br>(max. 150 °C / 302 °F) |        |   |     |    |    |    |    |    |
| P1  |        |   |     |    |    |    |    |    |
| Ammonia   |        |   |     |    |    |    |    |    |
| H3  |        |   |     |    |    |    |    |    |
| <b>Pipe Material</b>  |        |   |     |    |    |    |    |    |
| Stainless steel AISI 316Ti (1.4571)   |        |   |     |    |    |    |    |    |
| S2  |        |   |     |    |    |    |    |    |
| Carbon steel S 235 (1.0037)   |        |   |     |    |    |    |    |    |
| C1  |        |   |     |    |    |    |    |    |
| <b>Mounting Length of the Sensor</b>  |        |   |     |    |    |    |    |    |
| 120 mm (4.7 in)   |        |   |     |    |    |    |    |    |
| L1  |        |   |     |    |    |    |    |    |
| 263 mm (10.4 in)  |        |   |     |    |    |    |    |    |
| L2  |        |   |     |    |    |    |    |    |
| 425 mm (17 in)  |        |   |     |    |    |    |    |    |
| L3  |        |   |     |    |    |    |    |    |
| 775 mm (31 in)  |        |   |     |    |    |    |    |    |
| L4  |        |   |     |    |    |    |    |    |

Continued on next page...

## ... Ordering Information

### Additional ordering information SensyMaster FMT094

| Additional ordering information  | XXX     | XXX | XX  |
|--|---------|-----|-----|
| SensyMaster FMT094 Pipe component, weld-on adapter   |         |     |     |
| <b>Sensor Connection Options</b>   |         |     |     |
| With ball valve (max. 150 °C / 302 °F)   | SCA* ** |     |     |
| With integrated hot-tap fitting,<br>with weld on adapter for diameter DN 100 to DN 300 (4 to 12 in) (-20 bis 150°C / -4 bis 302°F) | SCD***  |     |     |
| <b>Sensor Connection Accessories</b>   |         |     |     |
| DN 25 blind flange to close flowmeter sensor connection, material stainless steel AISI 316Ti (1.4571)                              |         | SBA |     |
| Blind screw connection for Thread DIN 11851, to close flowmeter sensor connection,<br>material stainless steel AISI 304 (1.4301)   |         | SBB |     |
| <b>Certificates</b>  |         |     |     |
| Material monitoring with inspection certificate 3.1 acc. EN 10204  |         |     | C2  |
| Declaration of compliance with the order 2.1 acc. EN 10204   |         |     | C4  |
| Inspection certificate 3.1 acc. EN 10204 for visual, dimensional and functional test   |         |     | C6  |
| Inspection certificate 3.1 acc. EN 10204 for positive material identification PMI  |         |     | CA  |
| Inspection certificate 3.1 acc. EN 10204 for positive material identification PMI with material analysis                           |         |     | C5  |
| <b>Other Usage Certifications</b>  |         |     |     |
| DVGW Certificate (T <sub>amb</sub> : -20 to 100°C)   |         |     | CGW |
| UKCA conformity  |         |     | CU1 |

\* Correct sensor length: For pipe component DN 50 ... DN 100: h = 263 mm, from DN 125: h = 425 mm.  
For weld-on adapter up to 150 mm: h = 263 mm, up to 500 mm: h = 425 mm, > 500 mm: h = 775 mm

\*\* Suitable for use in Zone 2 / Div. 2.

\*\*\* Suitable for use in Zone 1, Zone 2 (not Zone 0) / Div. 1, Div. 2.



## Questionnaire

|                   |                    |
|-------------------|--------------------|
| <b>Customer:</b>  | <b>Date:</b>       |
| <b>Ms. / Mr.:</b> | <b>Department:</b> |
| <b>Telephone:</b> | <b>Email:</b>      |

**Model:**

FMT230       FMT430       Not determined  
 FMT250       FMT450

**Application data:**

Operating pressure min. / norm. / max. [bar abs, psi, other] \_\_\_\_\_ Temperature min. / norm. / max. [°C, °F] \_\_\_\_\_

Flow rate min. / norm. / max. [kg/h, lbs/h, Nm<sup>3</sup>/h, other] \_\_\_\_\_ Normal conditions (in volume flow)

0°C, 1013mbar       other  
 20°C, 1013mbar

**Gas data:**

Gas type (pure gas): \_\_\_\_\_

| Gas mixture (name, vol. %) <sup>1</sup> | Component 1 | Component 2 | Component 3 | Component 4 | Component 5 |
|---|-------------|-------------|-------------|-------------|-------------|
| _____                                   | _____       | _____       | _____       | _____       | _____       |

**Transmitter design**

Design:

Integral mount design       Single-compartment housing  
 Remote mount design       Dual-compartment housing

Signal cable length (remote mount design)

5 m       25 m  
 15 m

Communication:

current output / HART  
 Modbus RTU

**Piping / pipe component**

Nominal diameter / pressure rating [DIN / ASME] \_\_\_\_\_ Inside diameter [mm] \_\_\_\_\_

**Pipe component design**

wafer type FMT091  
 Partial measuring section FMT092  
 Welding adapter FMT094

\* In case of mixed gases the composition must be specified by stating the components: CH<sub>4</sub> 90 %, C<sub>2</sub>H<sub>6</sub> 5 %, N<sub>2</sub> 3 %, C<sub>3</sub>H<sub>8</sub> 1 %, CO<sub>2</sub> 1 %

### Note

The order can only be confirmed and a delivery date specified once full technical clearance has been obtained!

---

## Trademarks

Modbus is a registered trademark of Schneider Automation Inc.

Kalrez and Kalrez Spectrum are registered trademarks of DuPont

Performance Elastomers.

Sales



Service







---

## **ABB Measurement & Analytics**

For your local ABB contact, visit:  
**[www.abb.com/contacts](http://www.abb.com/contacts)**

For more product information, visit:  
**[www.abb.com/flow](http://www.abb.com/flow)**

---

We reserve the right to make technical changes or modify the contents of this document without prior notice. With regard to purchase orders, the agreed particulars shall prevail. ABB does not accept any responsibility whatsoever for potential errors or possible lack of information in this document.

We reserve all rights in this document and in the subject matter and illustrations contained therein. Any reproduction, disclosure to third parties or utilization of its contents – in whole or in parts – is forbidden without prior written consent of ABB.